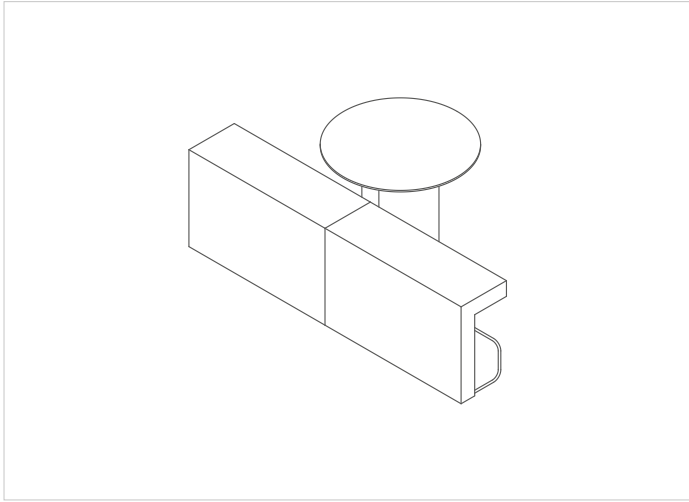
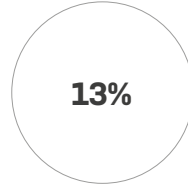


Border-05 — Environmental Impact

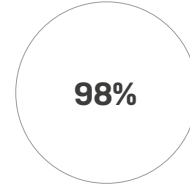


Environmental Data

Based on BORDER-05. Complies with SKA rating.



Recycled Content



Recyclable Content



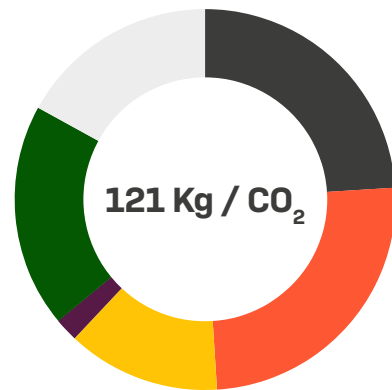
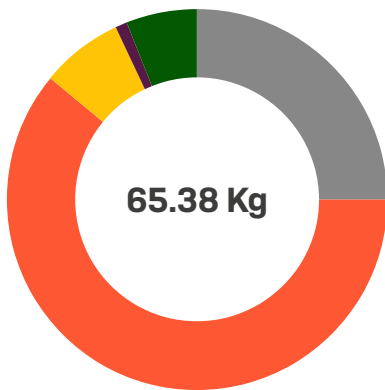
Carbon Footprint

Materials Weight [%]

Materials		%
Steel	●	25
Wood	●	61
Foam	●	7
Plastic	●	1
Fabric	●	5
Total		65.38 Kg

Materials Footprint [%]

Materials		%
Metal	●	24
Wood	●	25
Foam	●	13
Plastic	●	2
Fabric	●	19
Operational Value	●	17
Total		121 Kg / CO₂



Environmental Statement

Orangebox is accredited to the environmental standard ISO 14001. 2015
As a result every care is taken to ensure its operations and products make a positive contribution to the local and global environment.

Intertek Sustainability Clean Air Product Certification

Clean Air certification provides proof that products have been independently tested and found to conform to VOC standards and to the ANSI/ BIFMA Furniture Emissions Standards. All Orangebox products* have achieved Gold certification, excluding laminate products which achieve a Silver certification. *With the exception of Fielding Tables.



Orangebox's Footprints were calculated by FIRA's Carbon Footprinter Tool. The technique of Ecological footprint analysis co-originated in the 1990's by Professor William Rees and Dr Mathis Wackernagel.





CERTIFIED
CLEAN AIR GOLD

Intertek does hereby certify that an independent assessment has been conducted on behalf of

ORANGEBOX

Certificate Number: CA-14718-2023c

Certification valid until: 06 December 2024

Applicant Address: South Glamorgan
Parc Nantgarw CF15, 7QU GBR, United Kingdom

Product Category: Furniture, Seating

Product Details: See Appendix

Conformance Criteria: ANSI/BIFMA e3-2019, Sections 7.6.1, 7.6.2: Open Plan Office and Private Office.

Issuing Office Name & Address: Intertek Testing Services NA, Inc.
4700 Broadmoor Ave SE, Suite 200
Kentwood, MI 49512 USA
Ph: +1-616-656-7401

A handwritten signature in black ink that reads 'Faye Ricker'.

Faye Ricker
Certification Officer
26 October 2023

This Certificate is for the exclusive use of Intertek's client and is provided pursuant to the agreement between Intertek and its Client. Intertek's responsibility and liability are limited to the terms and conditions of the agreement. Intertek assumes no liability to any party, other than to the Client in accordance with the agreement, for any loss, expense or damage occasioned by the use of this Certificate. Only the Client is authorized to permit copying or distribution of this Certificate. Any use of the Intertek name or one of its marks for the sale or advertisement of the tested material, product or service must first be approved in writing by Intertek. The observations and test/inspection results referenced in this Certificate are relevant only to the sample tested/inspected. This Certificate by itself does not imply that the material, product, or service is or has ever been under an Intertek certification program.



CERTIFIED
CLEAN AIR GOLD

Certificate Appendix

ORANGEBOX

Certificate Number: CA-14718-2023c

Product Category	Task, Executive, Lounge, Guest/Side, Stool
Model Name(s)	Acorn, AllowMe, Ara, Aspect, Avi, Away from the Desk, Being, Beyond The Desk, Bligh, Border, Calder, Campers & Dens – Seating, Cors, Coze Dining, Coze Lounge, Coze Work, Cubb, Cwtch, Dench, Do, Eva, Farne, Fletcher, Flo, Hy, Joy, Kirn, Lossit, Moss, On Your Jays, On the QT – Seating, Orly, Peeps, Perimeter, Ramsey, Recur, Skomer, Spira Plus, Sully, Tide, Vale Sofa, Workday, X10
Product Restrictions	None

This Certificate is for the exclusive use of Intertek's client and is provided pursuant to the agreement between Intertek and its Client. Intertek's responsibility and liability are limited to the terms and conditions of the agreement. Intertek assumes no liability to any party, other than to the Client in accordance with the agreement, for any loss, expense or damage occasioned by the use of this Certificate. Only the Client is authorized to permit copying or distribution of this Certificate. Any use of the Intertek name or one of its marks for the sale or advertisement of the tested material, product or service must first be approved in writing by Intertek. The observations and test/inspection results referenced in this Certificate are relevant only to the sample tested/inspected. This Certificate by itself does not imply that the material, product, or service is or has ever been under an Intertek certification program.