

SILENT LAB



CATALOGUE 2022/2023

CONTENTS

ABOUT US	7
MICROOFFICE	9
MICROOFFICE UNIQ	11
MICROOFFICE PRIME	15
MICROOFFICE CUBIQ	19
MICROOFFICE QUADRIO	23
MICROOFFICE REALM	33
MICROOFFICE EQUIPMENT	37
PRIVACY	39
MYSLOT	41
MYSLOT BOND	45
WALLBOOTH	49
SEATING	53
MOVE	55
PETAL	59
ABSORPTION	63
STILL SKY	65
STILL	69
STILL FLOCK	73
CHIPS	77
MYSPACE	81
SHADE	85
SHADE TIMBER	89
SHADE MARK	93
FLEXI	97
MOSS	101
MOSS HANG	105
MUTE	109
LIGHT	113
MUTE LIGHT	115
BLOOM	119
DROP	123
MATERIAL LINES	126
FABRIC SWATCHES	128
SURFACE FINISH	135



WHEN YOU
JUST WANT TO
WORK IN PEACE



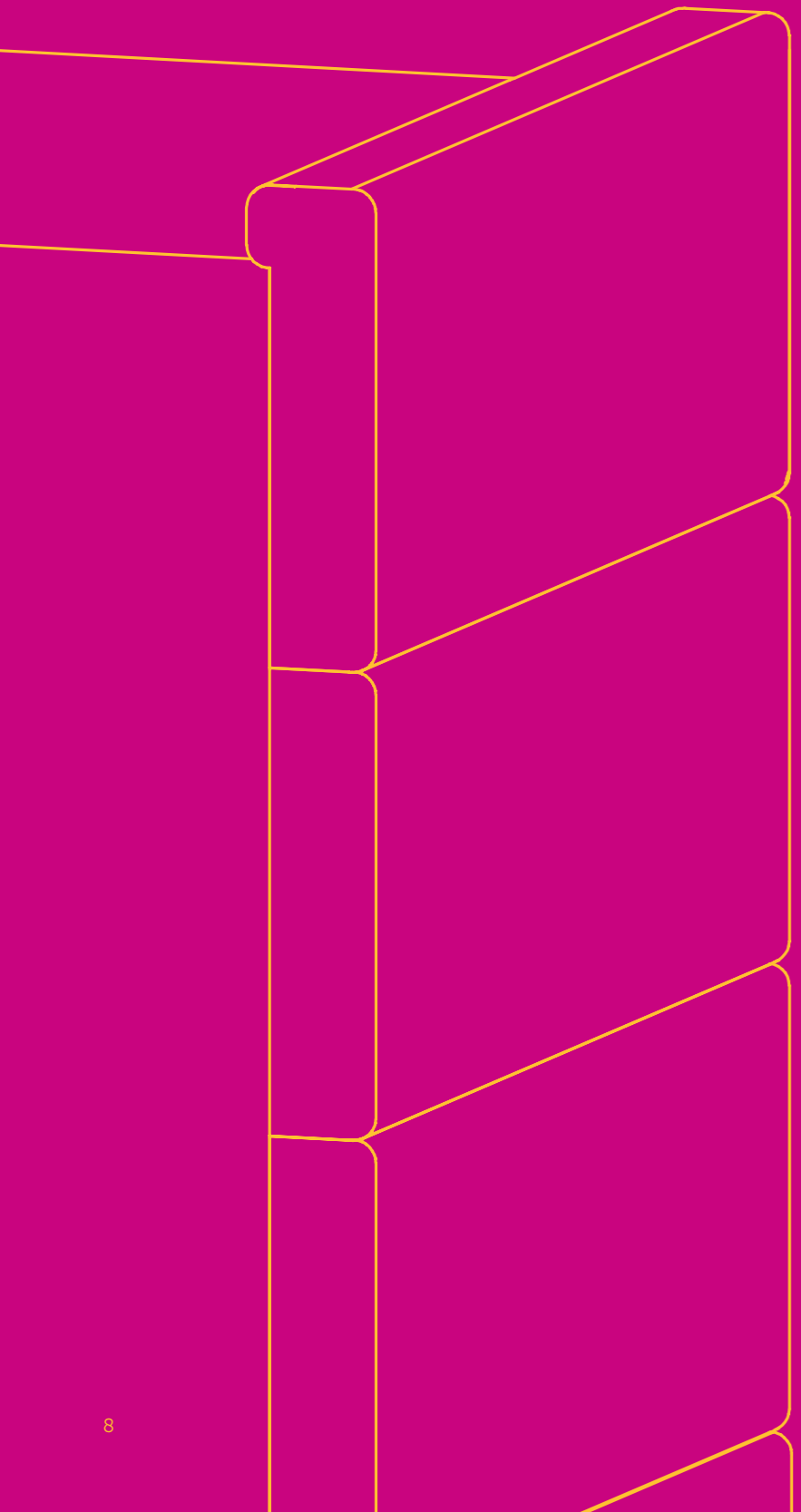
ABOUT US

We like peace and quiet when we work. That's why we started SilentLab, where we create quiet and send it wherever it's needed the most. Our original office acoustical solutions carve out oases of calm and privacy even in the noisiest interior environments.

Open offices are more popular than ever, but along with greater interaction comes overwhelming noise. Thanks to our team of acoustics experts, we enable companies to provide employees with the distraction-free workspaces they need to perform and collaborate at optimal levels. Our unique mobile soundproof offices, acoustical wall panels, ceiling hangings and other sound-reduction accessories are all made at our in-house production facilities in the Czech Republic.

Our holistic approach to sustainable sound empowers us to create complete acoustic solutions. We can also work with you to devise highly customized solutions precisely tailored to your needs. Visual appeal is as important to us as top-tier performance, which is why all our products combine unique designs with maximum functionality.

MICROOFFICE





ICONIC
DESIGN
PEACE
AND QUIET

UNIQ



reddot design award
winner 2019



MICROOFFICE

MICROOFFICE

MICROOFFICE UNIQ captures an insulated bubble of peace without the burden of difficult installation or renovation. Our new iconic design features a unique ventilation system, high-end acoustic materials and even more sophisticated details than before.

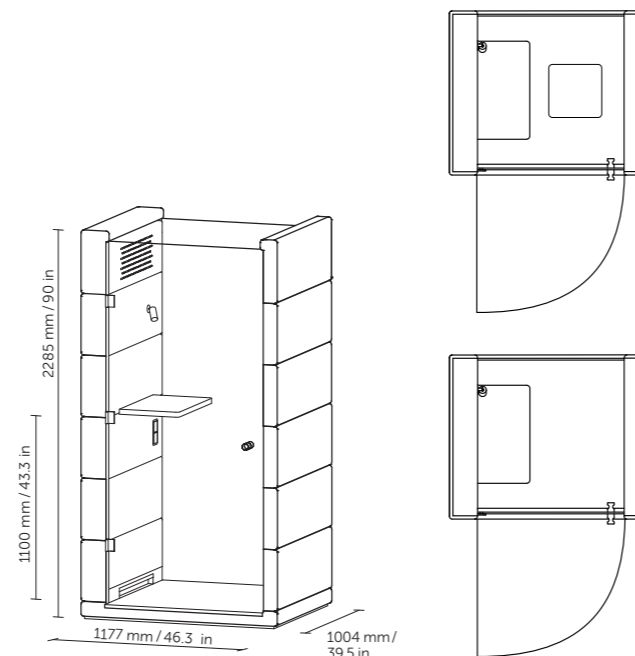
TECHNICAL DETAILS

exterior dimensions	1177 x 1004 x 2285 mm / 46.3 x 39.5 x 90 in
interior dimensions	898 x 933 x 2097 mm / 35.4 x 36.7 x 81.9 in
weight	385 kg / 848 lb
glass walls	sound-insulating glass
solid walls	sound-absorbing sandwich panel with acoustic insulation
glass wall frame and door handle	solid oak/black varnish
ceiling	sound-insulating glass
flooring	carpet (anthracite grey)
ventilation	automatic/manual
lighting	LED, chromaticity temperature 2 700 K
included equipment	desk, electric socket (1x), USB connection (1x), motion sensor, design lamp, ventilation
optional equipment	barstool, coat hook (detailed equipment list available on page 37)
color options	decorative fabric (refer to swatches)

certification    *

* FSC certification on request

UNIQ





AN OASIS
OF QUIET
FOR ONE

PRIME



MICROOFFICE

MIRCOOFFICE

PRIME

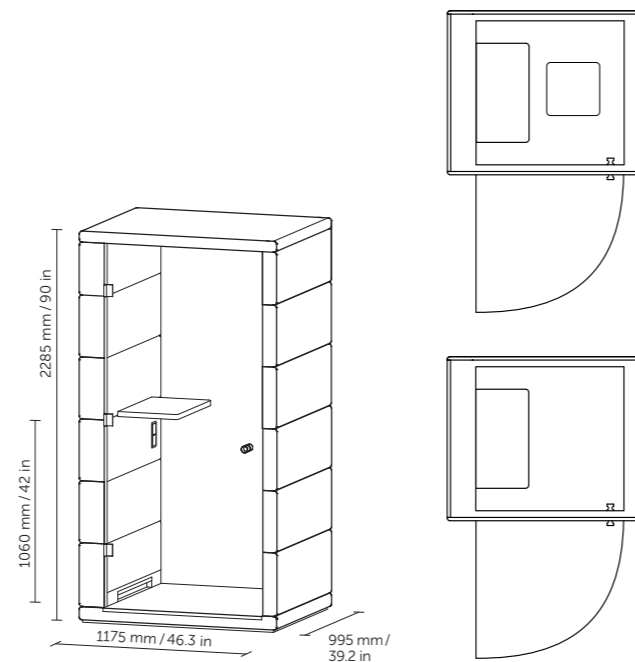
MIRCOOFFICE PRIME is a standalone haven of silence ready for use without any burdensome installation or renovation. It combines our iconic visual aesthetic with a unique ventilation system, high-end acoustic materials, sophisticated details and practical design.

TECHNICAL DETAILS

exterior dimensions	1175 × 995 × 2285 mm / 46.3 × 39.5 × 90 in
interior dimensions	900 × 915 × 2080 mm / 35.4 × 36 × 81.9 in
weight	370 kg / 815 lb
glass walls	sound-insulating glass
solid walls	sound-absorbing sandwich panel with acoustic insulation
glass wall frame and door handle	solid oak/black varnish
ceiling	sound-absorbing sandwich panel with acoustic insulation
flooring	carpet (anthracite grey)
ventilation	automatic/manual
lighting	LED, chromaticity temperature 4 200 K
included equipment	desk, electric socket (1x), motion sensor, LED lighting, ventilation
optional equipment	barstool, coat hook, USB and LAN connection (detailed equipment list available on page 37)
color options	decorative fabric (refer to swatches)

certification    *

* FSC certification on request





**AN ADAPTABLE
MEETING SPACE**

CUBIQ



reddot design award
winner 2019

MICROOFFICE

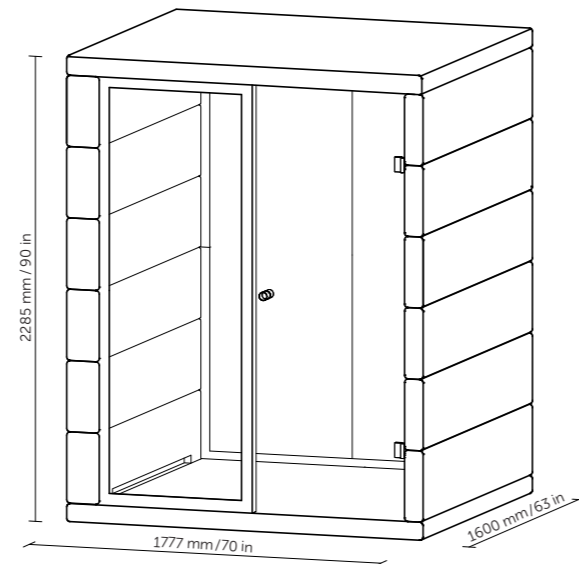
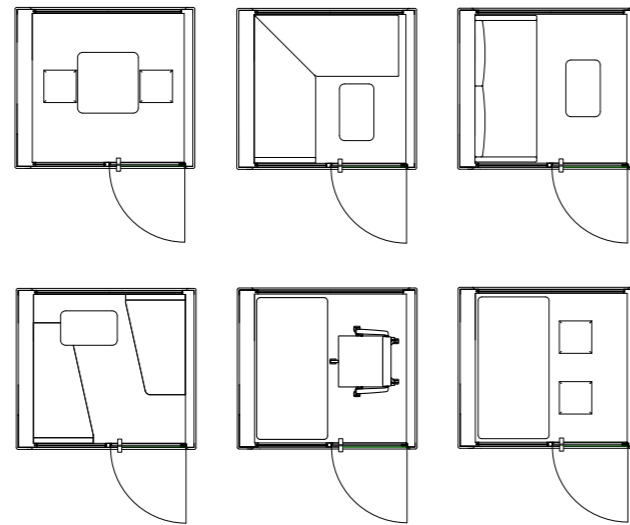
MICROOFFICE

CUBIQ

MICROOFFICE CUBIQ turns any area into a private multi-person meeting room. Enjoy unprecedented flexibility with two-person to four-person standing configurations.

TECHNICAL DETAILS

exterior dimensions	1777 x 1600 x 2285 mm / 70 x 63 x 90 in
interior dimensions	1501 x 1480 x 2074 mm / 59.1 x 58.3 x 81.7 in
weight	600 kg / 1 322 lb
glass walls	sound-insulating glass
solid walls	sound-absorbing sandwich panel with acoustic insulation
glass wall frame and door handle	solid oak / black varnish
ceiling	sound-absorbing sandwich panel with acoustic insulation
flooring	carpet (anthracite grey)
ventilation	automatic/manual
lighting	LED, chromaticity temperature 4 200 K
included equipment	electric socket (2x), motion sensor, LED lighting, control panel for lighting and air ventilation
optional equipment	seats, coat hook, USB and LAN connection (detailed equipment list available on page 37)
color options	decorative fabric (refer to swatches)



* FSC certification on request





A UNIVERSAL
CONFERENCE
ROOM THAT
GROWS WITH YOU

QUADRIO



MICROOFFICE

MICROOFFICE

MICROOFFICE QUADRIO I is the ideal meeting space for a quick and private conversation with a colleague. Private, personal and just the right size for two occupants.

Find unlimited possibilities and forward-thinking design with MICROOFFICE QUADRIO, which you can configure exactly the way you need it. Our original concept, based on a segmented folding system of individual parts, allows you to create a tailor-made office for up to nine people.

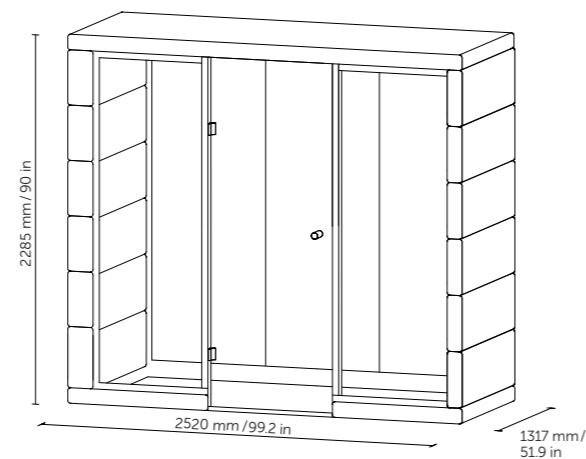
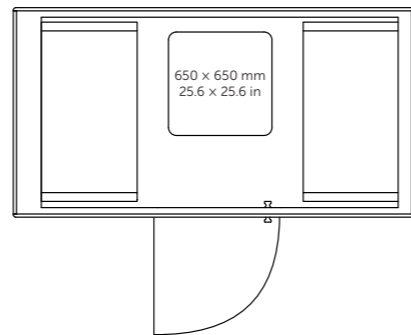
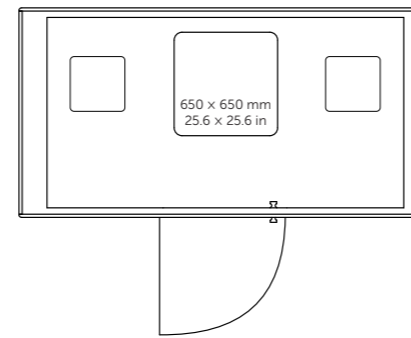
TECHNICAL DETAILS

exterior dimensions	2520 x 1317 x 2285 mm / 99.2 x 51.9 x 90 in
interior dimensions	2246 x 1196 x 2128 mm / 88.4 x 47.1 x 83.8 in
weight	625 kg / 1 377 lb
glass walls	sound-insulating glass
solid walls	sound-absorbing sandwich panel with acoustic insulation
glass wall frame and door handle	solid oak/black varnish
ceiling	sound-absorbing sandwich panel with acoustic insulation
flooring	carpet (anthracite grey)
ventilation	automatic/manual
lighting	LED, chromaticity temperature 4 200 K
included equipment	electric socket (2x), motion sensor, LED lighting, control panel for lighting and air ventilation
optional equipment	desk, seats, coat hook, USB and LAN connection (detailed equipment list available on page 37)
color options	decorative fabric (refer to swatches)

certification   

* FSC certification on request

QUADRIO I



MICROOFFICE

QUADRIO II

Do you need a place to meet with several colleagues from your team? Try MICROOFFICE QUADRIO II, which offers space for up to five people.

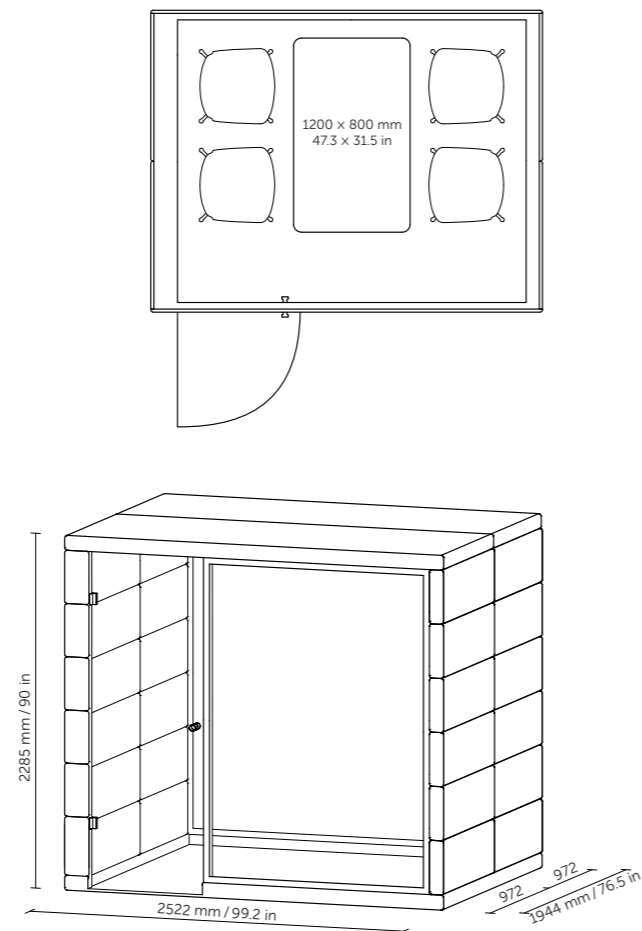
Find unlimited possibilities and forward-thinking design with MICROOFFICE QUADRIO, which you can configure exactly the way you need it. Our original concept, based on a segmented folding system of individual parts, allows you to create a tailor-made office for up to nine people.

TECHNICAL DETAILS

exterior dimensions	2522 x 1944 x 2285 mm / 99.2 x 76.5 x 90 in
interior dimensions	2246 x 1824 x 2128 mm / 88.4 x 71.8 x 83.8 in
weight	750 kg / 1 653 lb
glass walls	sound-insulating glass
solid walls	sound-absorbing sandwich panel with acoustic insulation
glass wall frame and door handle	solid oak / black varnish
ceiling	sound-absorbing sandwich panel with acoustic insulation
flooring	carpet (anthracite grey)
ventilation	automatic/manual
lighting	LED, chromaticity temperature 4 200 K
included equipment	electric socket (3x), motion sensor, LED lighting, control panel for lighting and air ventilation
optional equipment	AV connection points, desk, seats, coat hook, USB and LAN connection (detailed equipment list available on page 37)
color options	decorative fabric (refer to swatches)

certification   

* FSC certification on request






MICROOFFICE

QUADRIO III

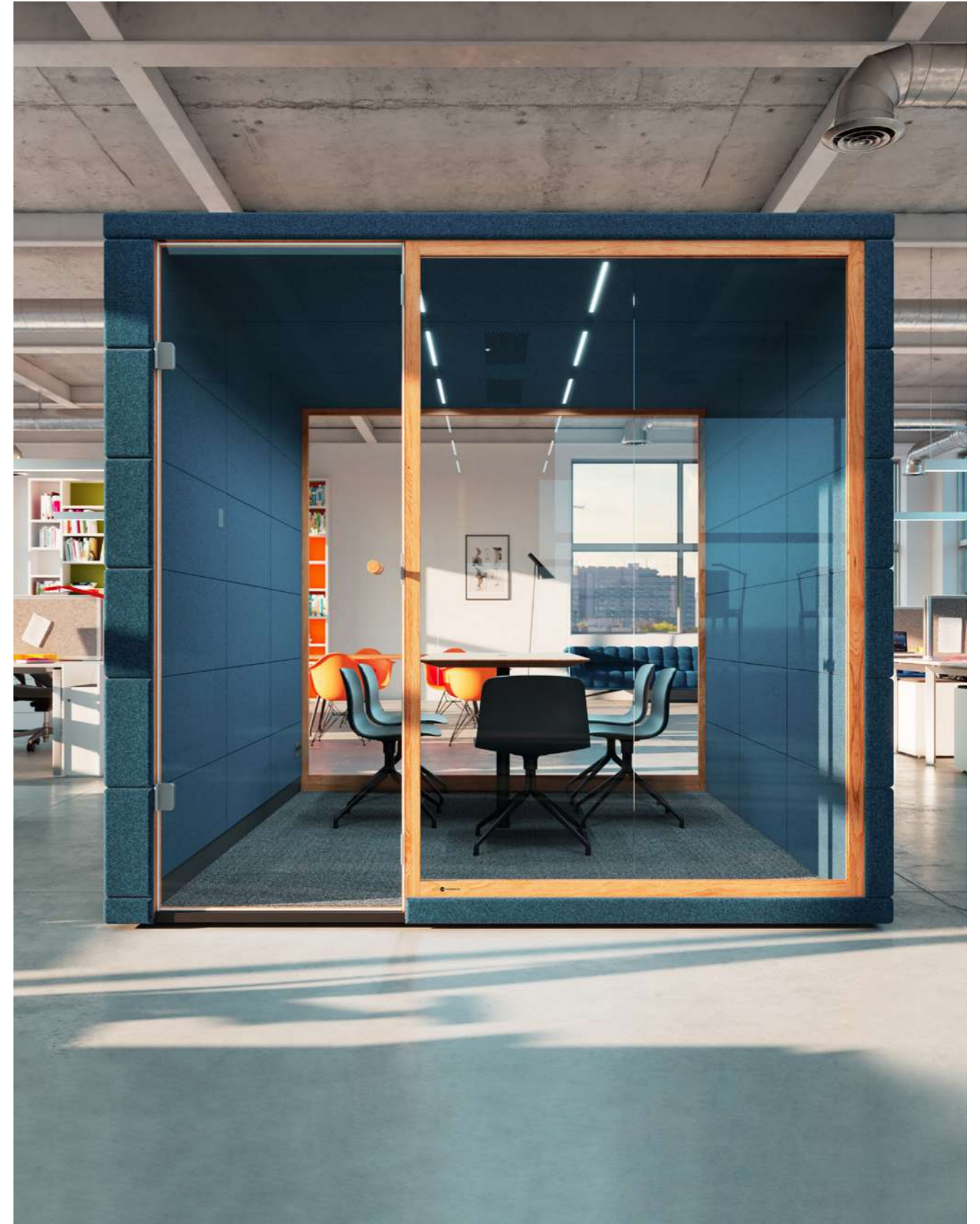
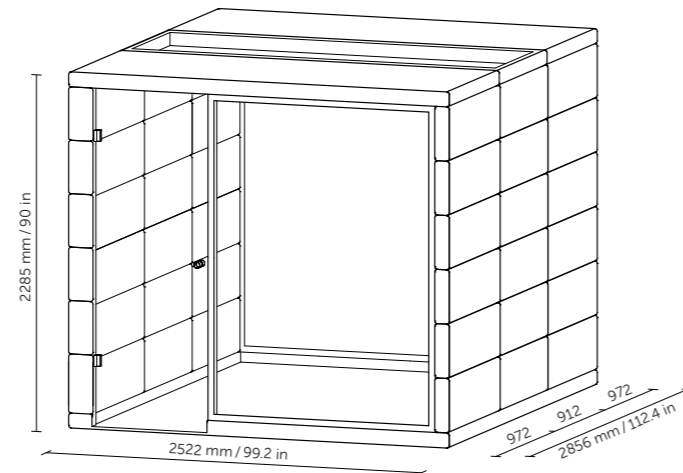
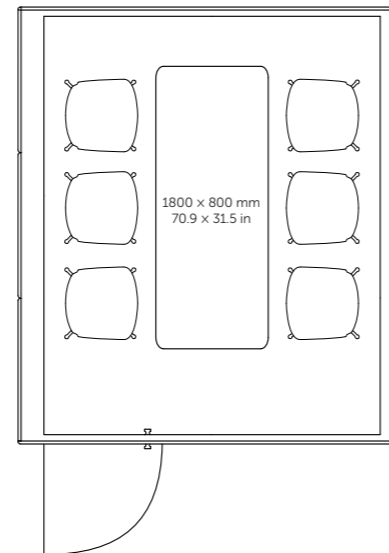
MICROOFFICE QUADRIO III is perfect for groups of up to seven people. Its glazed ceiling gives the room plenty of light, providing a comfortable setting for longer meetings.

Find unlimited possibilities and forward-thinking design with MICROOFFICE QUADRIO, which you can configure exactly the way you need it. Our original concept, based on a segmented folding system of individual parts, allows you to create a tailor-made office for up to nine people.

TECHNICAL DETAILS

exterior dimensions	2522 x 2856 x 2285 mm / 99.2 x 112.4 x 90 in
interior dimensions	2245 x 2736 x 2128 mm / 88.4 x 107.7 x 83.8 in
weight	950 kg / 2 094 lb
glass walls	sound-insulating glass
solid walls	sound-absorbing sandwich panel with acoustic insulation
glass wall frame and door handle	solid oak / black varnish
ceiling	sound-absorbing sandwich panel with acoustic insulation and sound-insulating glass
flooring	carpet (anthracite grey)
ventilation	automatic / manual
lighting	LED, chromaticity temperature 4 200 K
included equipment	electric socket (3x), motion sensor, LED lighting, control panel for lighting and air ventilation
optional equipment	AV connection points, desk, seats, coat hook, USB and LAN connection (detailed equipment list available on page 37)
color options	decorative fabric (refer to swatches)
certification	  

* FSC certification on request



MICROOFFICE

Able to accommodate up to nine people, our MICROOFFICE QUADRIO IV fully replaces any meeting room without the need for any building modifications. Adding the perfect conference room to your office has never been easier.

Find unlimited possibilities and forward-thinking design with MICROOFFICE QUADRIO, which you can configure exactly the way you need it. Our original concept, based on a segmented folding system of individual parts, allows you to create a tailor-made office for up to nine people.

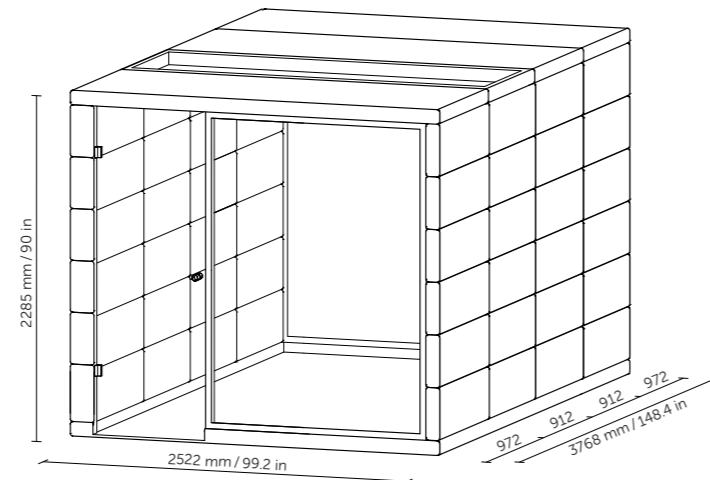
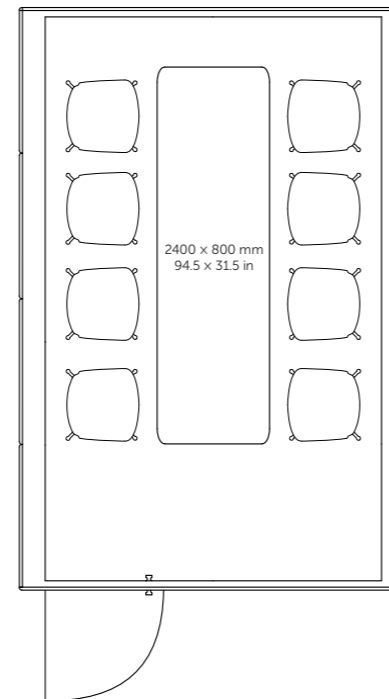
TECHNICAL DETAILS

exterior dimensions	2522 x 3768 x 2285 mm / 99.2 x 148.4 x 90 in
interior dimensions	2245 x 3648 x 2128 mm / 88.4 x 143.6 x 83.8 in
weight	1150 kg / 2 535 lb
glass walls	sound-insulating glass
solid walls	sound-absorbing sandwich panel with acoustic insulation
glass wall frame and door handle	solid oak / black varnish
ceiling	sound-absorbing sandwich panel with acoustic insulation and sound-insulating glass
flooring	carpet (anthracite grey)
ventilation	automatic/manual
lighting	LED, chromaticity temperature 4 200 K
included equipment	electric socket (3x), motion sensor, LED lighting, control panel for lighting and air ventilation
optional equipment	AV connection points, desk, seats, coat hook, USB and LAN connection (detailed equipment list available on page 37)
color options	decorative fabric (refer to swatches)

certification   

* FSC certification on request

QUADRIO IV





**THE CONNECTION
BETWEEN TEAM
PERFORMANCE
AND WELLBEING**

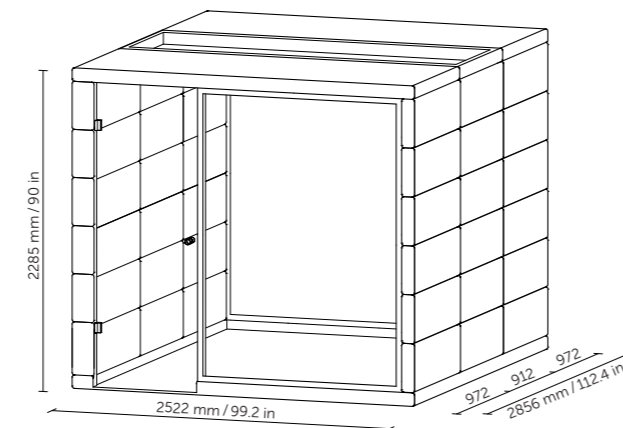
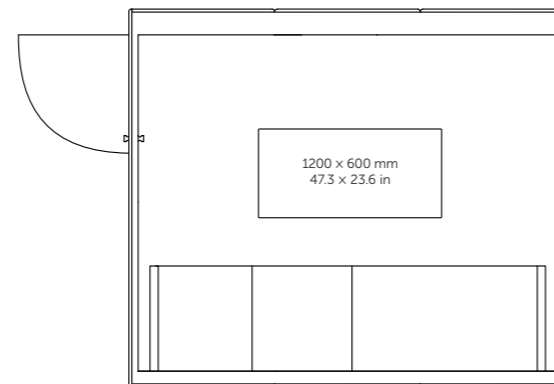
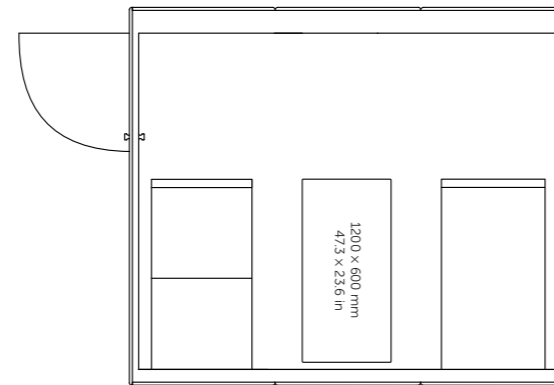
REALM

MICROOFFICE

MICROOFFICE

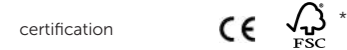
Do you work in an office but still want a quiet environment to get your work done? Finding that quiet place is easier than you think! You can find it in a meeting, while tackling a big project or during an informal gathering in our acoustic wellbeing meeting room.

REALM



TECHNICAL DETAILS

exterior dimensions	2522 x 2856 x 2285 mm / 99.2 x 112.4 x 90 in
interior dimensions	2245 x 2736 x 2128 mm / 88.4 x 107.7 x 83.8 in
weight	950 kg / 2 094 lb
glass walls	sound-insulating glass
solid walls	sound-absorbing sandwich panel with acoustic insulation
glass wall frame and door handle	solid oak wood/black varnish
ceiling	sound-absorbing sandwich panel with acoustic insulation, sound-insulating glass
flooring	carpet (anthracite grey)
ventilation	automatic/manual
lighting	LED, chromaticity temperature 4 200 K
included equipment	electric socket (3x), motion sensor, LED lighting, control panel for lighting and air ventilation, coffee table, seats, coat hook (3x), shelf (2x)
optional equipment	AV connection points, USB and LAN connection (detailed equipment list available on page 37)
color options	decorative fabric (refer to swatches)



* FSC certification on request



MICROOFFICE EQUIPMENT

	PRIME	UNIQ	CUBIQ	QUADRIO I	QUADRIO II	QUADRIO III	QUADRIO IV	REALM
PERSONS (max.)	1	1	4	4	5	7	9	7
ELECTRIC SOCKET (included in the price)	1x	1x	2x	2x	3x	3x	3x	3x
MOTION SENSOR	●	●	●	●	●	●	●	●
AUTOMATIC TEMPERATURE REGULATION	●	●	●	●	●	●	●	●
LAMP/LED	●	●	●	●	●	●	●	●
VENTILATION	●	●	●	●	●	●	●	●
USB (table/wall)	○	1x	○	○	○	○	○	○
LAN CONNECTION (table/wall)	○	○	○	○	○	○	○	○
OAK TABLE	●	●	○	○	○	○	○	●
SEAT	○	○	○	○	○	○	○	●
COAT HOOK *	○	○	○	○	○	○	○	3x
INLET CABLE FROM THE TOP	○	○	○	○	○	○	○	○
CONTROL PANEL FOR LIGHTING AND AIR VENTILATION	○	○	●	●	●	●	●	●
BLACK DESIGN (black frame, handle, table)	○	○	○	○	○	○	○	○
GLASS CEILING	x	●	x	x	x	○	○	●
AV CONNECTION POINTS (TV screen holder + additional electric socket)	○	○	○	○	○	○	○	○
CLARITY PROTECT	○	○	○	○	○	○	○	○
WRITABLE WHITEBOARD	○	○	○	○	○	○	○	○
WRITABLE WHITEBOARD INSIDE	x	x	○	○	○	○	○	○
TWO FABRIC COLOURS	○	○	○	○	○	○	○	○
SATIN GLASS BACK WALL STICKER	○	○	○	○	○	○	○	○
SPRINKLER CONNECTION POINT (1 pcs)	○	○	○	○	○	○	○	○
COURTAINS	x	x	x	x	○	○	○	○
SHELF	○	○	○	○	○	○	○	2x
ROOM RESERVATION PANEL (connection point/installation)	○	○	○	○	○	○	○	○

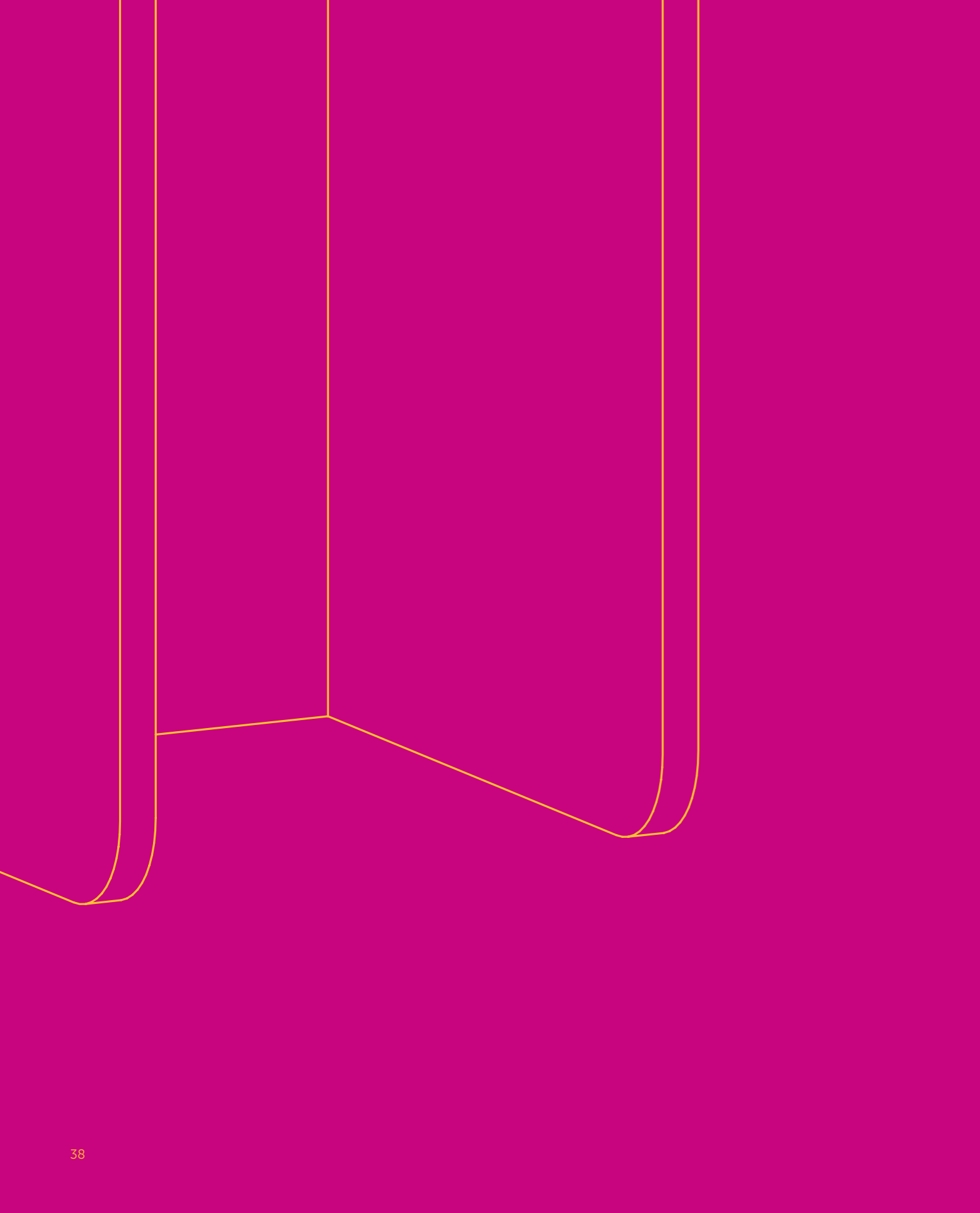
● included in the price

○ additional fee

x not available

* MO PRIME and UNIQ 1 pcs, MO CUBIQ and other 2 pcs

PRIVACY



MYSPOOT

FOR PRIVATE
CONVERSATIONS

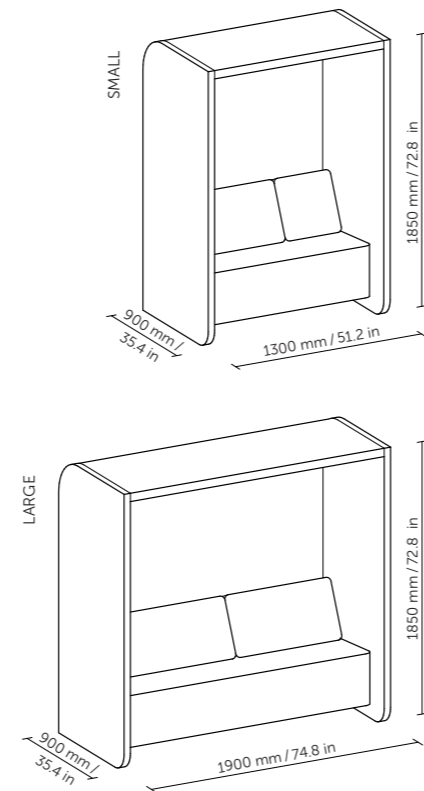
PRIVATE SEATING



PRIVATE SEATING

Need to have a quick chat with a colleague? Hop into MYSPOt – it's an enclosed seating area excellent for informal conversations in the center of a busy office. Place two facing each other for a larger space that's virtually as soundproof as a traditional conference room.

MYSPOt



TECHNICAL DETAILS

basic dimensions SMALL	1300 x 900 x 1850 mm / 51.2 x 35.4 x 72.8 in
basic dimensions LARGE	1900 x 900 x 1850 mm / 74.8 x 35.4 x 72.8 in
supporting frame	birch plywood
filling	high-performance acoustic foam
finish	decorative fabric (refer to swatches)





COMFORT
AND PRIVACY

MYSPOOT BOND

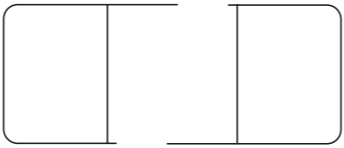


ACOUSTIC SEATING

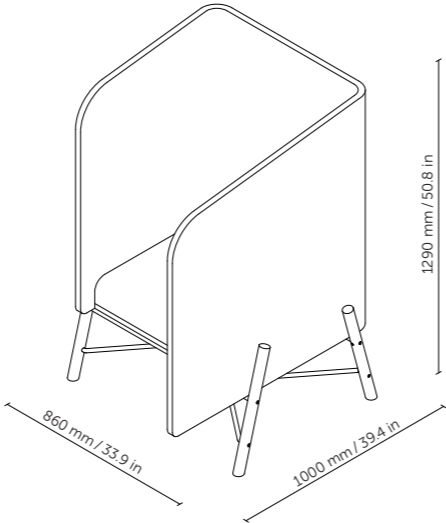
ACOUSTIC SEATING

Relax comfortably with peace and privacy during your meetings — isn't that exactly what you'd wish from a chair? Thanks to the new design, the MYSPOt BOND acoustic chairs can be freely combined to create any setting you desire.

MYSPOt BOND



top view



TECHNICAL DETAILS

dimensions	860 × 1000 × 1290 mm / 33.9 × 39.4 × 50.8 in
chair frame	oak, lacquered steel
back rest	upholstered acoustic material
finish	decorative fabric (refer to swatches)

WALLBOOTH

FOR PHONE CALLS
WITH NO
INTERRUPTIONS



PHONE BOX

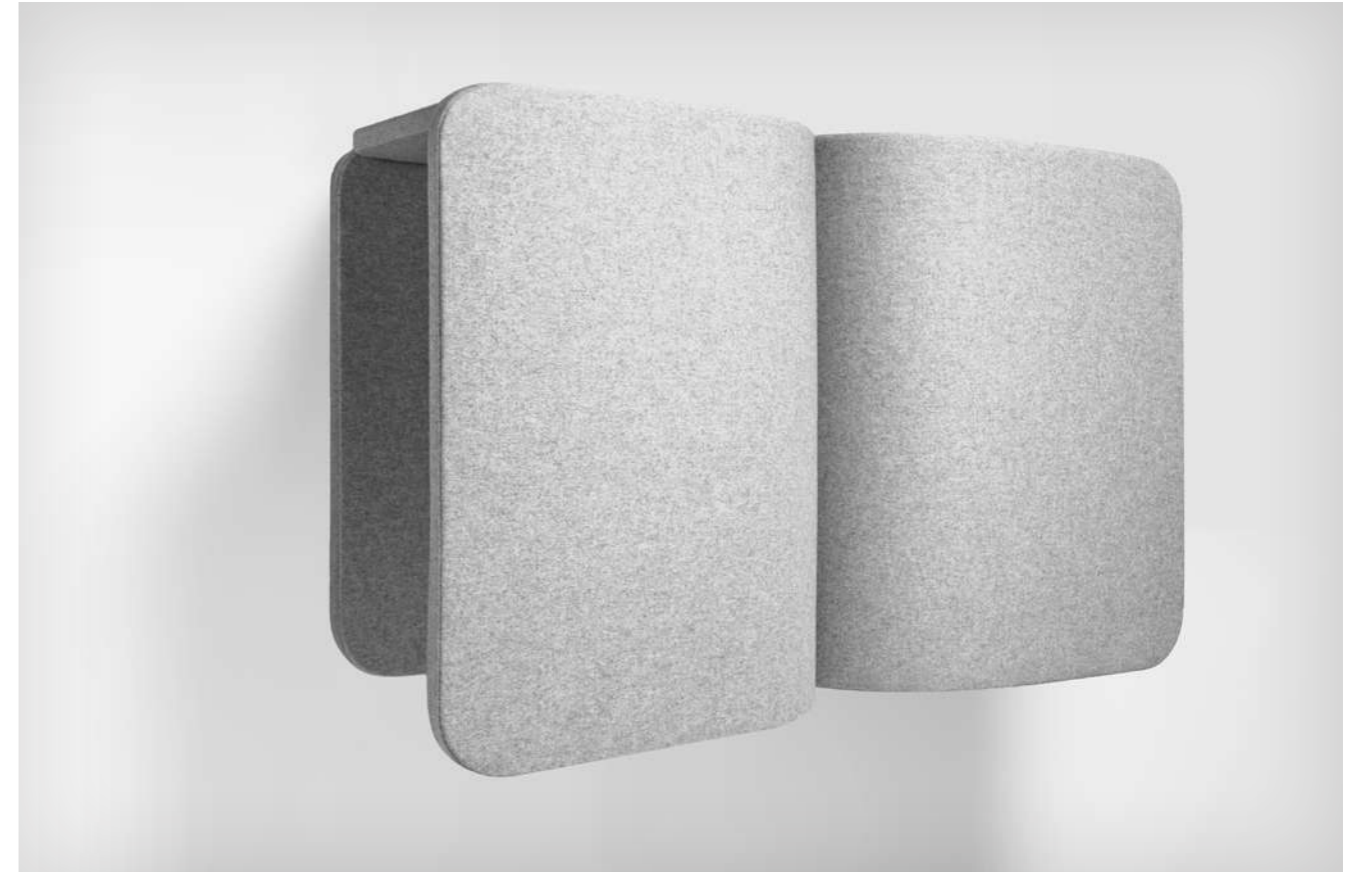
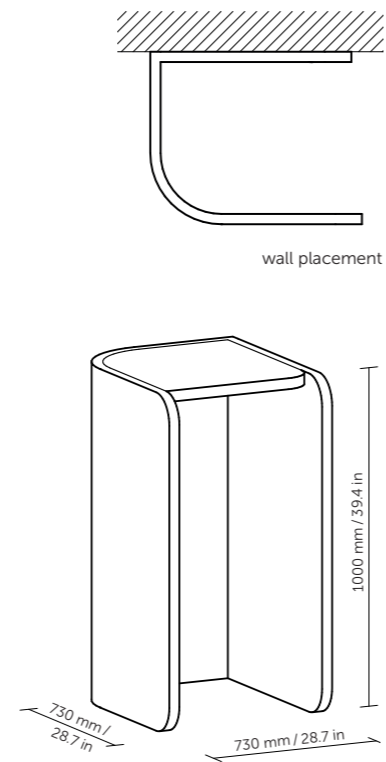
PHONE BOX

WALLBOOTH is your go-to spot for making phone calls in peace. It's mountable nearly anywhere and can be easily modified with an additional shelf to conveniently hold your laptop or planner.

TECHNICAL DETAILS

basic dimensions	730 x 730 x 1000 mm / 28.7 x 28.7 x 39.4 in
material	supporting structure (aluminum, plywood) with acoustic foam and PET board with high sound absorption
finish	decorative fabric (refer to swatches)
installation	wall-mounted
fixing	plywood anchor bar
optional equipment	light, table (oak)

WALLBOOTH



SEATING





EASY-TO-MOVE
POUF

MOVE

ACOUSTIC POUFS

ACOUSTIC POUFS

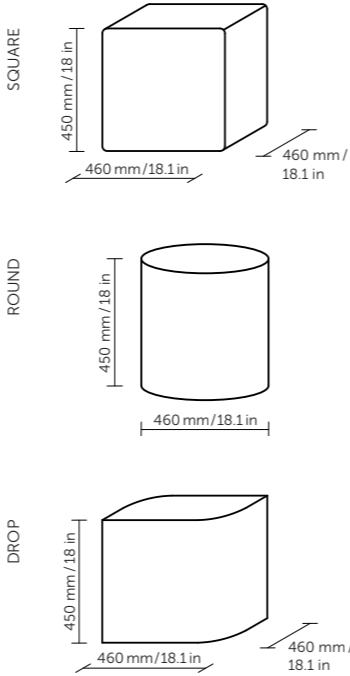
Enliven your office while reducing ambient noise with lightweight MOVE acoustic poufs. Built-in handles and innovative materials make for easy lifting and optimal sound absorption. The more you have, the better the results.

MOVE



TECHNICAL DETAILS

basic dimensions SQUARE	460 x 450 x 460 mm / 18.1 x 18 x 18.1 in
basic dimensions ROUND	diameter 460 mm / 18.1 in height 450 mm / 18 in
basic dimensions DROP	460 x 450 x 460 mm / 18.1 x 18 x 18.1 in
filling	high-performance acoustic foam
finish	decorative fabric (refer to swatches)
additional components	felt handle – 100% sheep wool





MODULAR
SEATING
ARRANGEMENTS

PETAL



MODULAR POUFS

MODULAR POUFS

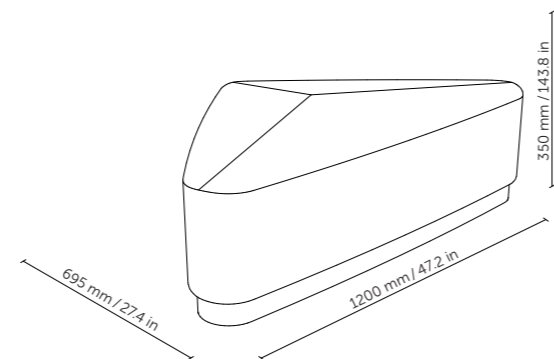
Easy to handle and so comfortable! PETAL poufs are ideal for use in dedicated relaxation zones as well as in any informal space where people gather to take a few minutes for themselves. PETAL adapts to your preferred style, ready for assembly to suit the look and needs of your office.

PETAL



TECHNICAL DETAILS

basic dimensions	1200 x 350 x 695 mm / 47.2 x 13.8 x 27.4 in
filling	high-performance acoustic foam
finish	decorative fabric (refer to swatches)
base	birch plywood with oak veneer



ABSORPTION





WIN
**AGAINST
NOISE**

STILL SKY

CEILING PANELS

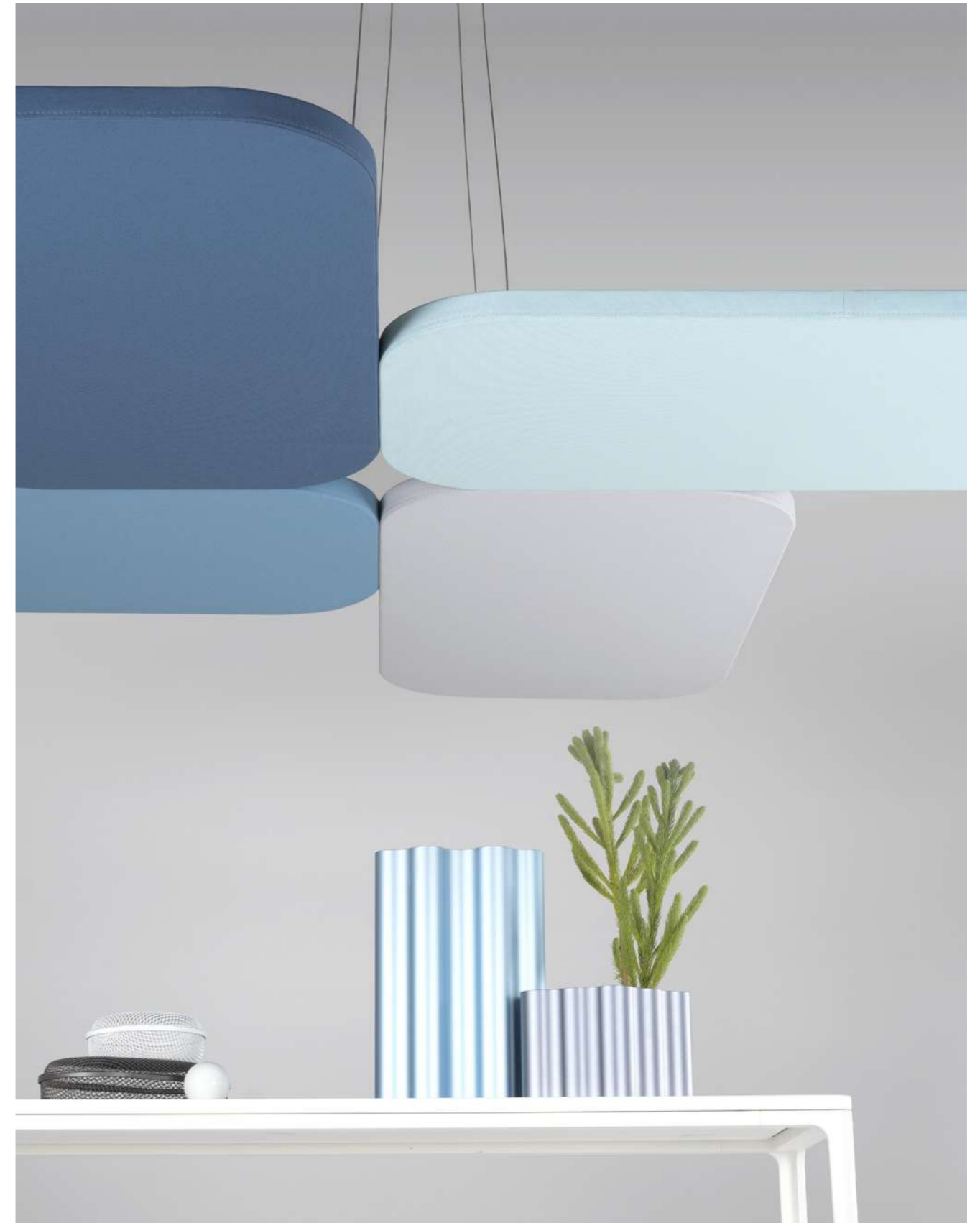
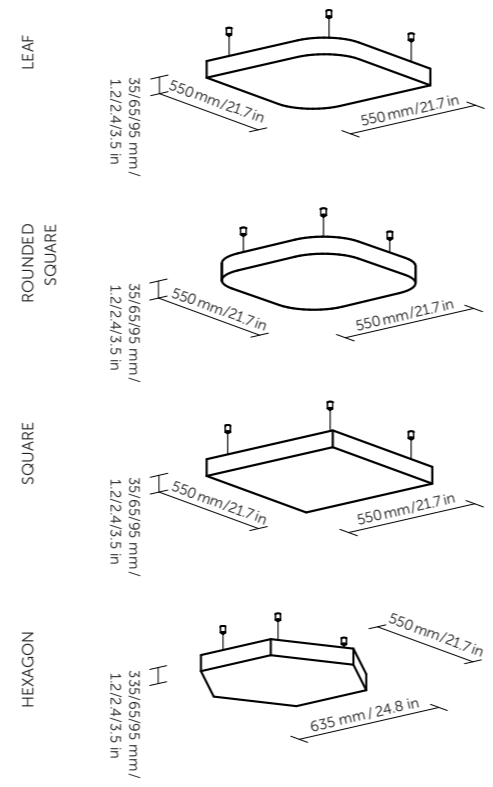
CEILING PANELS

Upgrade your ceiling into a dynamic piece of sound-proofing technology with STILL SKY. These acoustic ceiling panels can be placed around the office, significantly reducing noise. Hang them overhead to directly absorb sound in both work and leisure areas.

TECHNICAL DETAILS

basic dimensions LEAF	550 × 550 × 35/65/95 mm / 21.7 × 21.7 × 1.2/2.4/3.5 in custom sizes available upon request
basic dimensions ROUNDED SQUARE	550 × 550 × 35/65/95 mm / 21.7 × 21.7 × 1.2/2.4/3.5 in custom sizes available upon request
basic dimensions SQUARE	550 × 550 × 35/65/95 mm / 21.7 × 21.7 × 1.2/2.4/3.5 in custom sizes available upon request
basic dimensions HEXAGON	550 × 635 × 35/65/95 mm / 21.7 × 24.8 × 1.2/2.4/3.5 in custom sizes available upon request
supporting frame	MDF (medium-density fibreboard)
filling	high-performance acoustic foam
finish	decorative fabric (refer to swatches)
installation	steel wire (up to 1.5m long)

STILL SKY





**BRIGHTEN UP
YOUR WALLS**
AND IMPROVE
YOUR ACOUSTICS

STILLS

WALL PANELS

WALL PANELS

STILL is precision-engineered to absorb the frequencies created by the human voice. The result is a drastic reduction in background noise, making it much easier to converse quietly with colleagues or focus on the task at hand. With a wide selection of colors and shapes available, you'll find an ideal match for your office.

STILL



TECHNICAL DETAILS

basic dimensions
LEAF 550 x 550 x 35/65/95 mm /
21.7 x 21.7 x 1.2/2.4/3.5 in
custom sizes available upon request

basic dimensions
ROUNDED SQUARE 550 x 550 x 35/65/95 mm /
21.7 x 21.7 x 1.2/2.4/3.5 in
custom sizes available upon request

basic dimensions
SQUARE 550 x 550 x 35/65/95 mm /
21.7 x 21.7 x 1.2/2.4/3.5 in
custom sizes available upon request

basic dimensions
HEXAGON 550 x 635 x 35/65/95 mm /
21.7 x 24.8 x 1.2/2.4/3.5 in
custom sizes available upon request

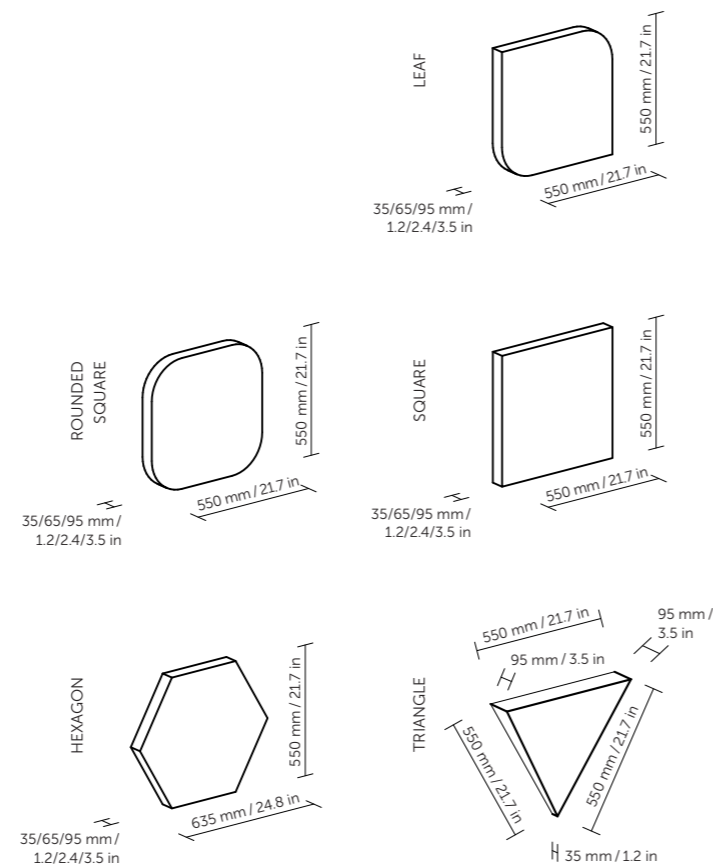
basic dimensions
TRIANGLE 550 x 550 x 550 x 35 x 95 x 95 mm /
21.7 x 21.7 x 21.7 x 1.2 x 3.5 x 3.5 in

supporting frame MDF (medium-density fibreboard)

filling high-performance acoustic foam

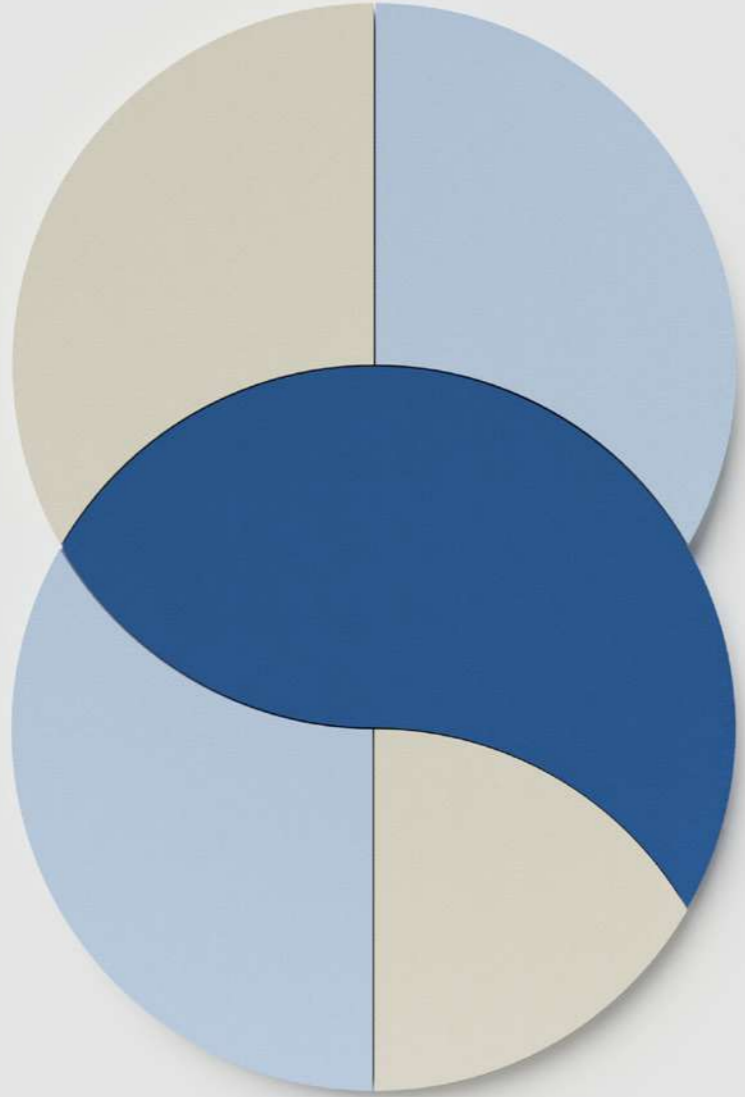
finish decorative fabric (refer to swatches)

installation wall-mounted / with contact adhesive



STILL FLOCK

THE VARIETY
OF COLORS
AND SHAPES

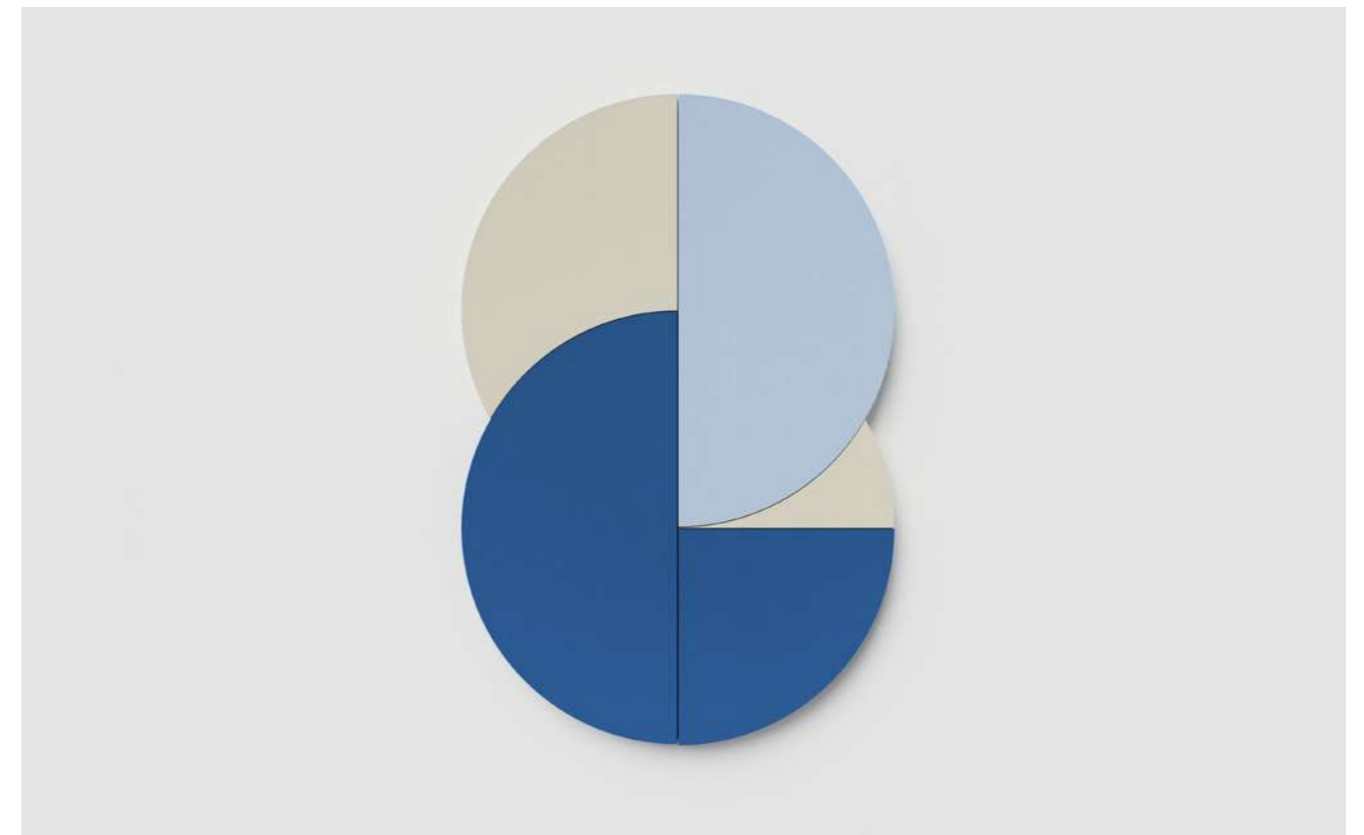
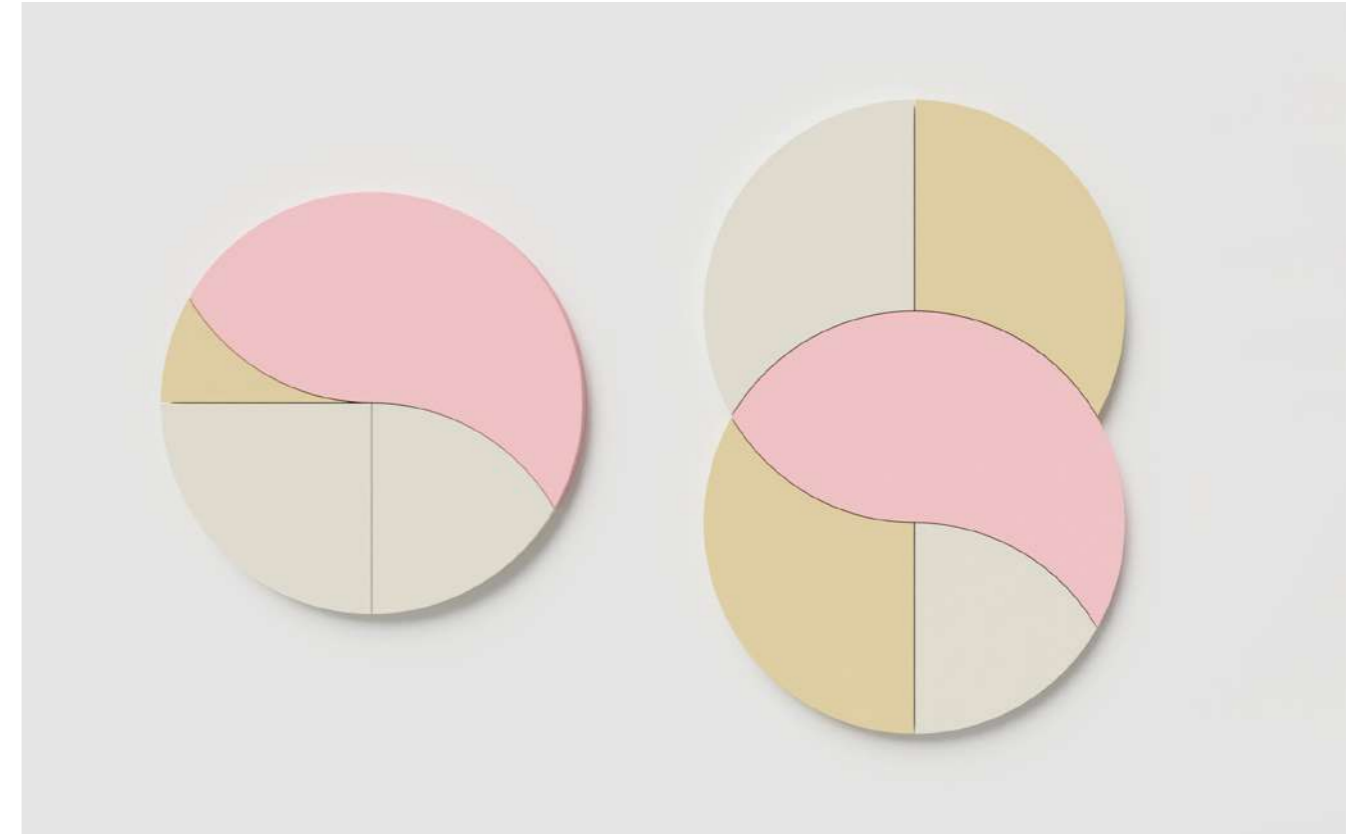


WALL PANELS

WALL PANELS

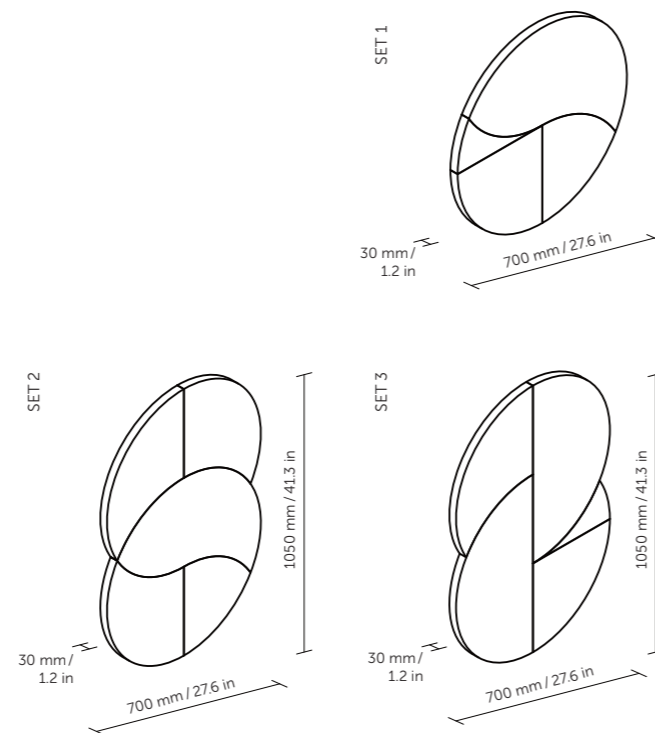
We designed STILL FLOCK acoustic wall panels to absorb the frequencies produced by the human voice. They significantly lower background noise so you can fully concentrate on your work or talk with colleagues. The wide variety of colors and shapes means you will have no problem finding the right combination for your office.

STILL FLOCK



TECHNICAL DETAILS

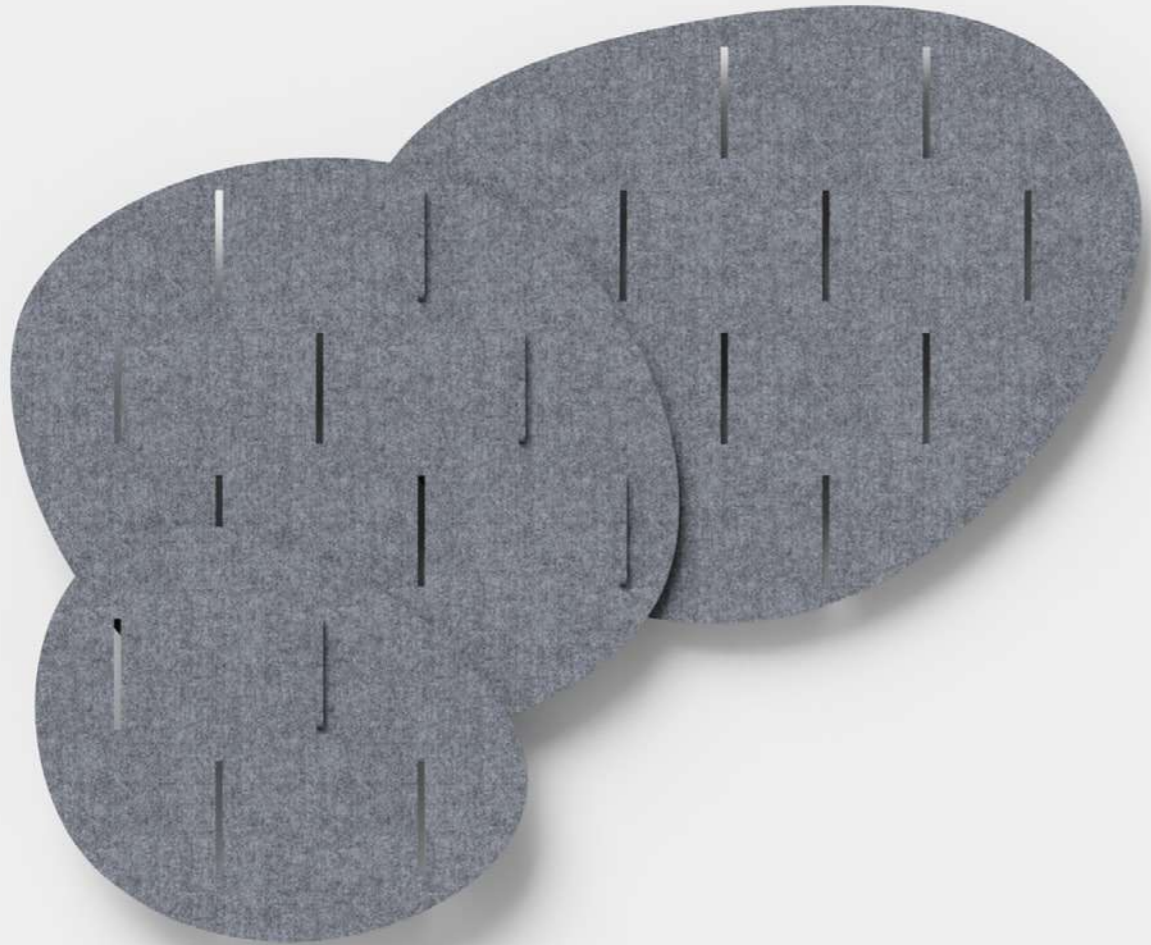
basic dimensions SET 1	700 x 30 mm / 27.6 x 1.2 in
basic dimensions SET 2	700 x 1050 x 30 mm / 27.6 x 41.3 x 1.2 in
basic dimensions SET 3	700 x 1050 x 30 mm / 27.6 x 41.3 x 1.2 in
material	acoustic pour foam with high sound absorption
surface finish	flock, color based on the color samples
mounting system included in the price	hanging system/contact adhesives



CHIPS

**UNIQUE
DESIGN
ELEMENTS**

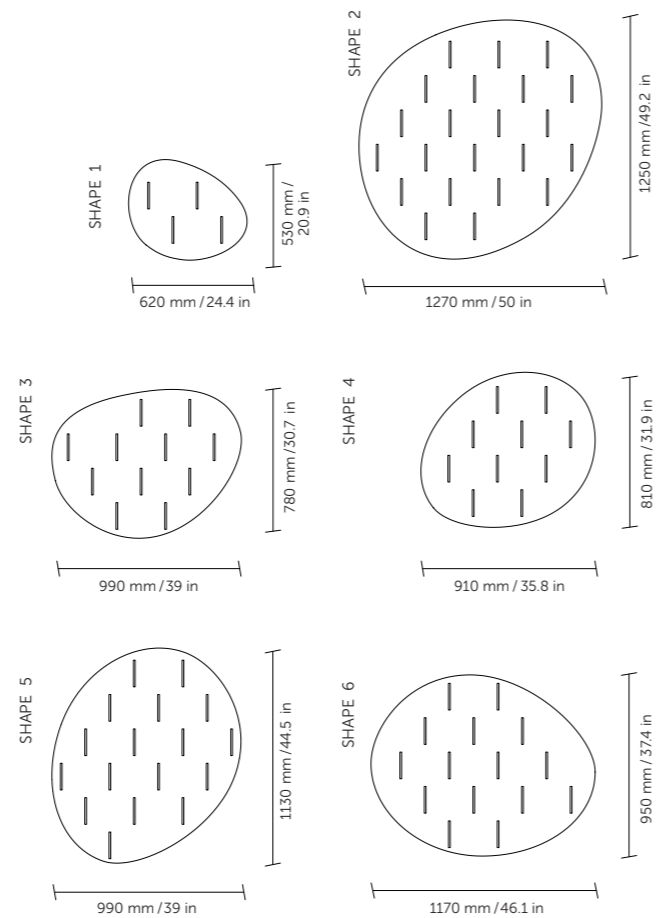
MODULAR WALL PANELS



MODULAR WALL PANELS

CHIPS

CHIPS acoustic tiles not only absorb surrounding noise in a room, but also serve as a unique design element in your office. Thanks to the lightness of the acoustic material and nine different sizes, they provide variable installation options. The wall tiles are very pleasant to the touch and made from recycled PET.



TECHNICAL DETAILS

material	100% PET
basis weight	1.9 kg/sqm
material thickness	9 mm
attachment	wall anchor system included in price
weighted sound absorption coefficient*	$\alpha_w = 0,6$
sound absorption class*	D

* Assessed in accordance with ČSN EN ISO 11654 standard.





**A MUST-HAVE
FOR ANY
LARGE OFFICE**

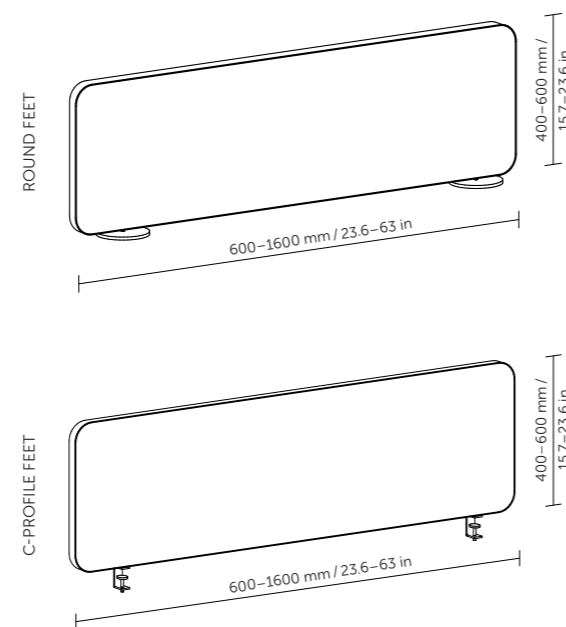
MYSPACE

DESKTOP DIVIDERS

DESKTOP DIVIDERS

MYSPLACE desktop dividers transform vast office floors into individual private workstations. They're made from specially developed acoustic foam, empowering your team to properly concentrate on their work. The high-quality fabric we use also allows these acoustic desktop partitions to double as bulletin boards.

MYSPLACE



TECHNICAL DETAILS

basic dimensions	standard height 400 and 600 mm / 15.7 and 23.6 in standard width up to 1600 mm / 63 in custom sizes available upon request
material	central supporting plate lined with sound-absorbing material
finish	decorative fabric (refer to swatches)
feet	round coated steel/C-profile coated steel (color refer to swatches)

* Feet – additional fee.

**ACOUSTIC
DIVIDERS**

SHADE

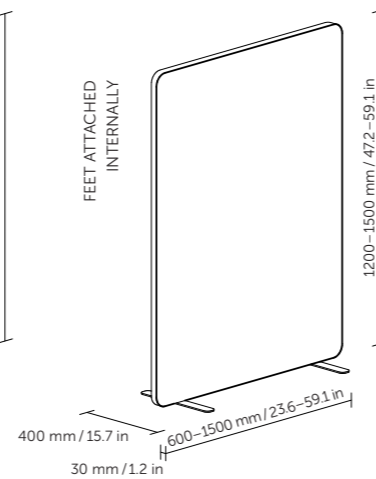
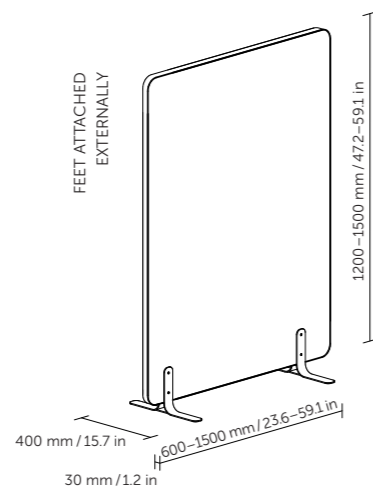
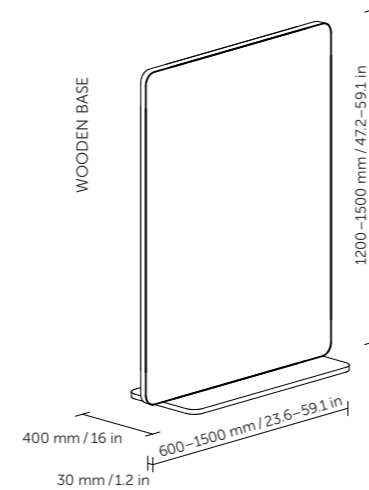


FREESTANDING DIVIDERS

FREESTANDING DIVIDERS

Deploy SHADE to instantly create an acoustic barrier at a moment's notice. Our freestanding acoustic dividers can be easily placed anywhere to keep coffee chatter or printer noise from disrupting the rest of the office.

SHADE



TECHNICAL DETAILS

□□ – available in leaf and rounded square shapes

basic dimensions standard height 1200, 1500 and 1800 mm* / 47.2, 59.1 and 70.9 in
standard width up to 1500 mm / 59.1 in
custom sizes available upon request

material central supporting plate covered with sound-absorbing material

finish decorative fabric (refer to swatches)

feet wooden base/coated steel (color refer to swatches), attached externally/internally

* Configurations with height greater than 1500 mm only available with coated steel feet, attached externally. Feet – additional fee.



ACOUSTIC DIVIDER
**WITH A WOODEN
TOUCH**

SHADE TIMBER

FREESTANDING DIVIDERS

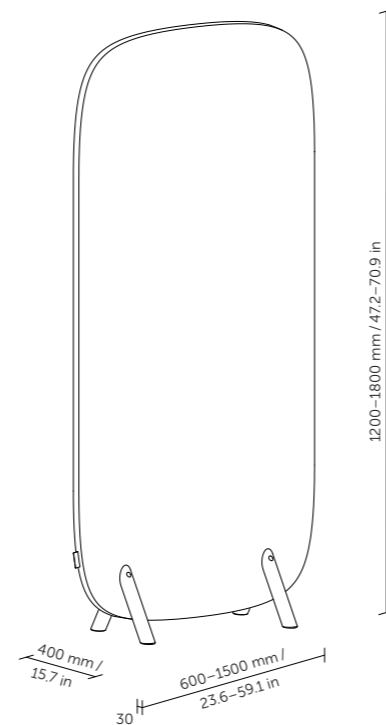
FREESTANDING DIVIDERS

Put SHADE dividers around the office and create an instant acoustic barrier that absorbs unwanted sound. You'll be able to work without being disturbed by the sound of the printer or colleagues talking over a cup of coffee. Freestanding dividers can be moved around easily as needed.

SHADE TIMBER

TECHNICAL DETAILS

basic dimensions	standard height 1200, 1500 and 1800 mm / 47.2, 59.1 and 70.9 in standard width up to 1500 mm / 59.1 in atypical production option
material	support plate covered on both sides with sound-absorbing material
surface finish	decorative fabric from the fabric sampler
feet	solid wood





MARKER BOARD
AND ACOUSTIC
OBJECT IN ONE

SHADDE MARK

MARKER BOARD

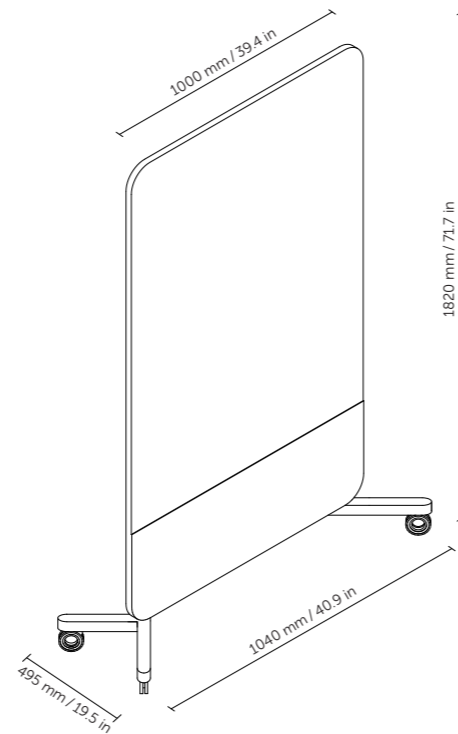
MARKER BOARD

The SHADE MARK serves two useful functions in the workplace. Like our other dividers, it absorbs noise and minimizes the inconvenience of an open space office. This version, however, also has a glass writing surface on one side, doubling as a whiteboard for notes, presentations, brainstorming sessions and other team meetings.

TECHNICAL DETAILS

basic dimensions	standard height 1820 mm / 71.7 in including wheels 1700 mm / 66.9 in only the divider 1350 mm / 53.1 in whiteboard
	standard width 1040 mm / 40.9 in including wheels 1000 mm / 39.4 in only the divider
material	frame filled with sound-absorbing material, glass board, coated holder tray (RAL 9003)
finish	decorative fabric (refer to swatches)
feet	warnished plywood feet with grey wheels

SHADE MARK





FLEXIBLE
ACOUSTIC
BLINDS

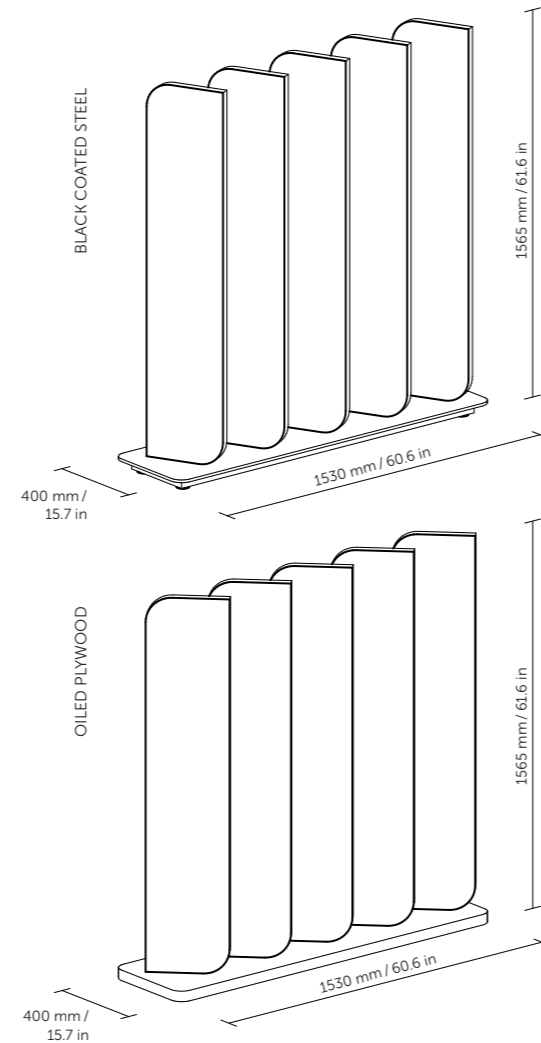
FLEXI

ROTATING DIVIDERS

ROTATING DIVIDERS

FLEXI

The adaptable FLEXI is an essential tool to have in your arsenal in the fight against noise. Simply open or close these adjustable mobile blinds to find the right balance for your workplace.



TECHNICAL DETAILS

basic dimensions	1530 x 400 x 1565 mm / 60.2 x 15.7 x 61.6 in
blinds	covered with sound-absorbing material
finish	decorative fabric (refer to swatches)
feet	black coated steel/oiled plywood





STYLISH PIECE
**THAT ABSORBS
SOUND**

MOSS

ACOUSTIC OBJECT

ACOUSTIC OBJECT

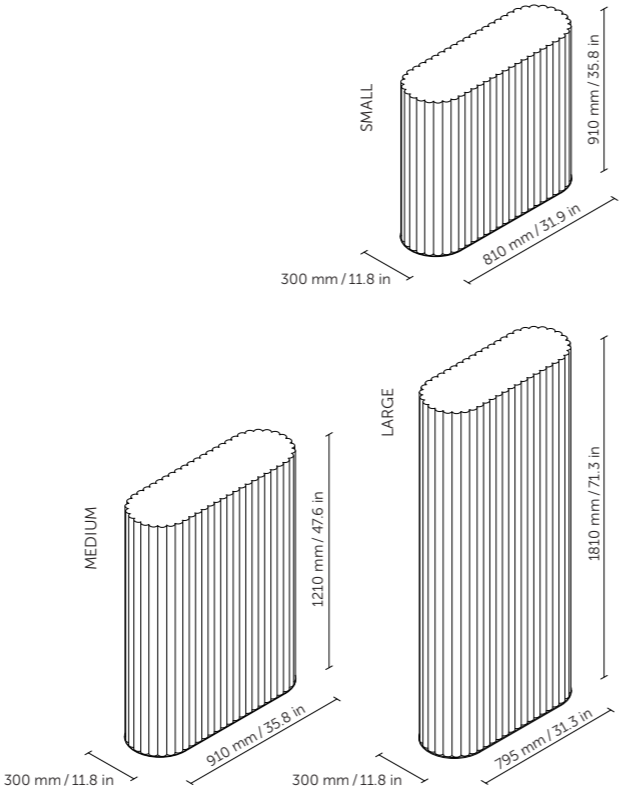
You'll be enchanted by the charming aesthetics and optimized functionality of MOSS. Its specialized materials enable it to absorb ambient sound and improve the office environment. MOSS is available in three sizes.

MOSS



TECHNICAL DETAILS

basic dimensions SMALL	810 x 910 x 300 mm / 31.9 x 35.8 x 11.8 in
basic dimensions MEDIUM	910 x 1210 x 300 mm / 35.8 x 47.6 x 11.8 in
basic dimensions LARGE	795 x 1810 x 300 mm / 31.3 x 71.3 x 11.8 in
filling	high-performance acoustic pour foam
finish	flock (color refer to swatches)
base	lacquered steel



MOSS HANG

DECORATIVE
ACOUSTIC
OBJECTS

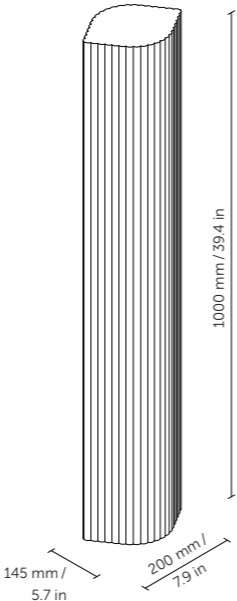


HANGING ACOUSTIC OBJECT

HANGING ACOUSTIC OBJECT

This acoustic object charms with its aesthetic appeal while working hard keeping the office quiet. It is made of special material that absorbs ambient sound and helps enhance the workplace experience. The MOSS HANG is customizable and can be used as an independent hanging object or in combination with any other products.

MOSS HANG



TECHNICAL DETAILS

basic dimensions	200 × 1000 × 145 mm / 7.9 × 39.4 × 5.7 in
filling	acoustic pour foam with high sound absorption
surface finish	flock (color based on the color samples)



EASILY REDUCE NOISE
IN ANY SPACE
MATERIALS

MUTE

HANGING DIVIDERS

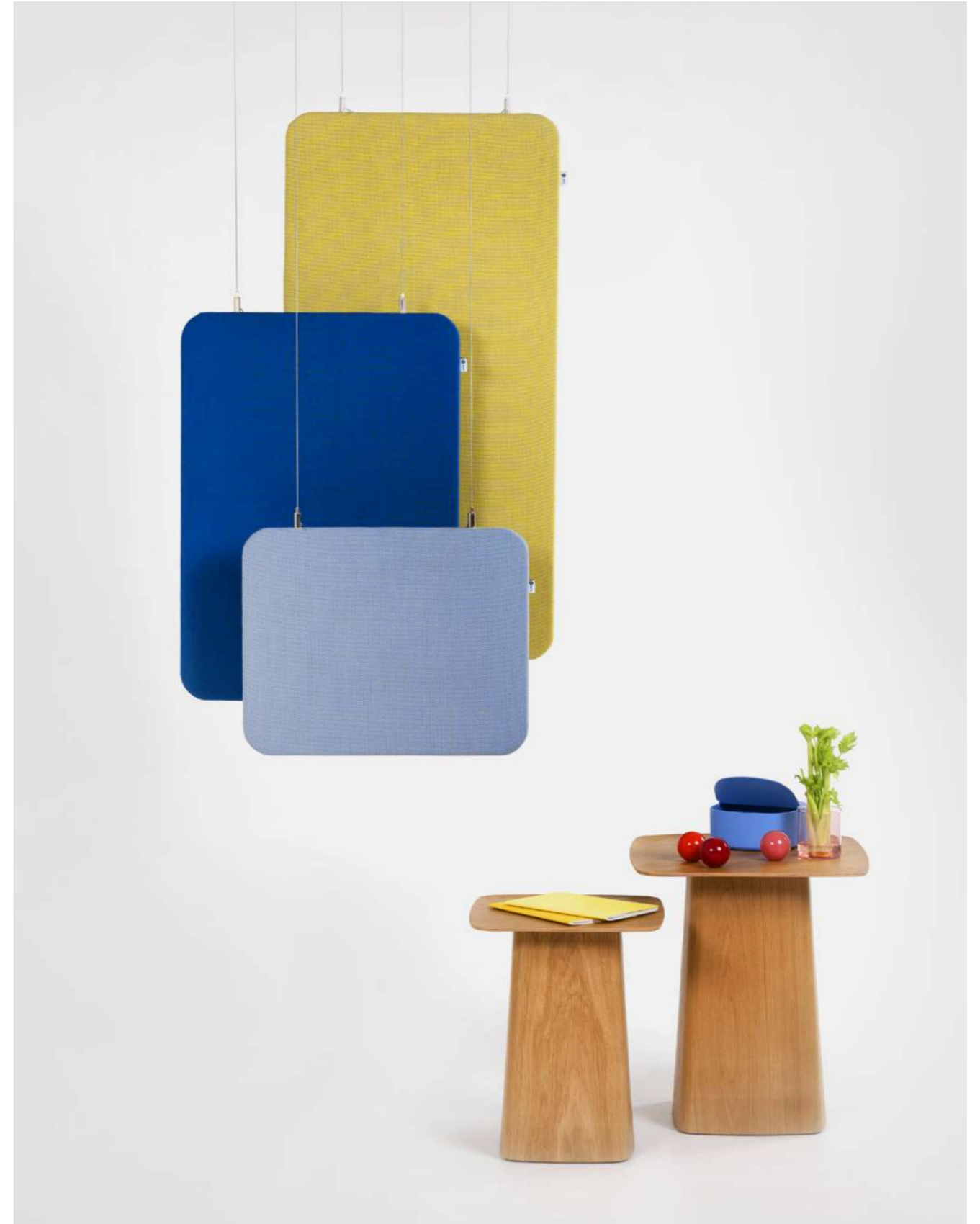
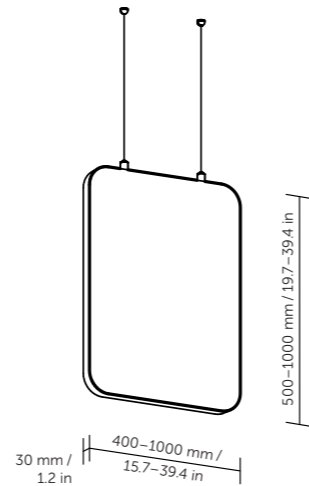
HANGING DIVIDERS

For an elegant solution to noise reduction, consider MUTE hanging dividers. They're an easy way to dampen echoes and ambient sound without requiring any permanent alterations to your workspace.

MUTE

TECHNICAL DETAILS

basic dimensions	standard height 500 and 1000 mm / 19.7 and 39.4 in standard width 400, 700 and 1000 mm / 15.7, 27.6 and 39.4 in standard dimensions 500 x 1000 x 30 mm / 19.7 x 39.4 x 1.2 in custom sizes available upon request
material	central supporting plate cover with sound-absorbing material
finish	decorative fabric (refer to swatches)
installation	steel wire (up to 1.5m long)



LIGHT





ACOUSTIC DIVIDERS
**THAT LIGHT UP
YOUR DAY**

MUTE LIGHT

ACOUSTIC DIVIDERS WITH LIGHT

ACOUSTIC DIVIDERS WITH LIGHT

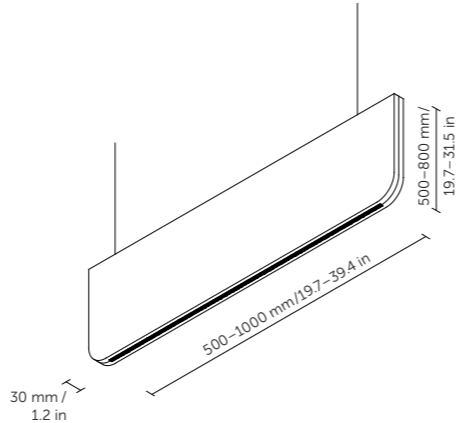
MUTE LIGHT hanging dividers are an intuitive acoustic solution that can be hung almost anywhere. Absorb sound, create space, and light it all up with LED strips on the underside of the cladding. MUTE LIGHT dividers are perfectly suited above a rest area, dining table or worktop.

MUTE LIGHT



TECHNICAL DETAILS

basic dimensions	<p>standard dimension</p> <p>1000 x 600 x 30 mm / 39.4 x 23.6 x 1.2 in</p> <p>500 x 700 x 30 mm / 19.7 x 27.6 x 1.2 in</p> <p>500 x 800 x 30 mm / 19.7 x 31.5 x 1.2 in</p> <p>800 x 500 x 30 mm / 31.5 x 19.7 x 1.2 in</p> <p>700 x 500 x 30 mm / 27.6 x 19.7 x 1.2 in</p> <p>custom sizes available upon request</p>
material	central supporting plate cover with sound-absorbing material
finish	decorative fabric (refer to swatches)
installation	steel wire (up to 1.5m long)
lighting	LED, chromaticity temperature 4 200 K





BRIGHTEN UP
YOUR INTERIORS

BLOOM

ACOUSTIC LIGHT

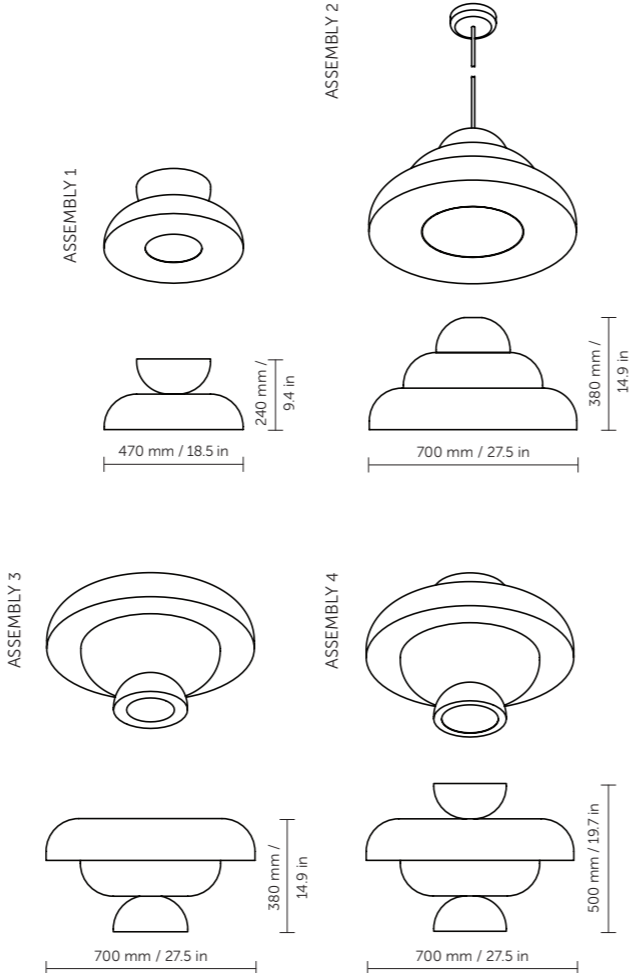
ACOUSTIC LIGHT

This acoustic light will brighten up your interior. It is made of an unconventional material, acoustic foam, which absorbs sound. Available in a choice of ten stylish pastel tones.

TECHNICAL DETAILS

design	Studio Olgoj Chorchoj
basic dimensions	
ASSEMBLY 1	470 x 240 mm / 18.5 x 9.4 in
ASSEMBLY 2	700 x 380 mm / 27.5 x 14.9 in
ASSEMBLY 3	700 x 380 mm / 27.5 x 14.9 in
ASSEMBLY 4	700 x 500 mm / 27.5 x 19.7 in
material	acoustic pour foam with high sound absorption
surface finish	flock (colour according to swatch)
light source	15 W/30 W
lighting temperature	daylight white
chromaticity temperature	4 200 K
suspension system	textile cable with canopy at the ceiling
certification	CE

BLOOM





COZY ATMOSPHERE
AND GOOD ACOUSTIC
CONDITIONS

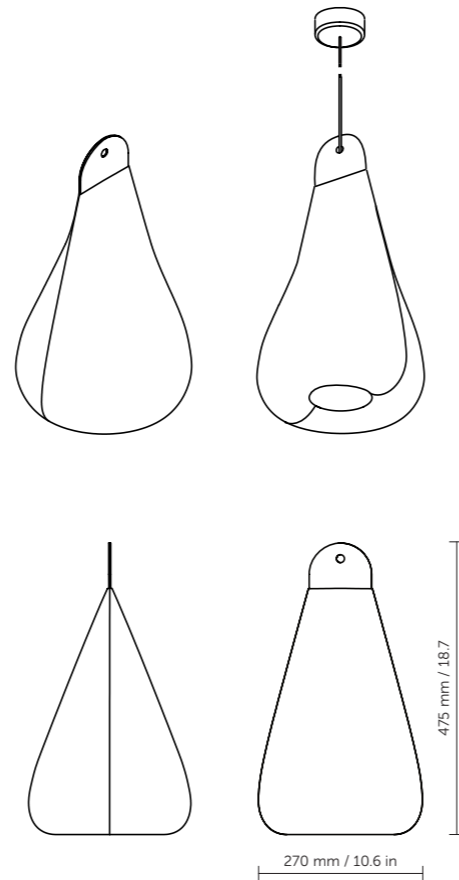
DROP

AMBIENT ACOUSTIC LIGHT


AMBIENT ACOUSTIC LIGHT

DROP ambient lighting creates optimal acoustic conditions and atmospheric lighting. Modern interior design places an increasing emphasis on productivity, influenced by factors including the amount of light and noise in the space. This elegant, sound-absorbing lighting fits functionally into the relaxation zones of office spaces and living rooms alike.

DROP



TECHNICAL DETAILS

design	Studio Olgoj Chorchoj
basic dimensions	475 × 270 × 270 mm / 18.7 × 10.6 × 10.6 in
fabric finish	see fabric samples
supply voltage	230 V, 60 Hz
light source power	5 W
chromaticity temperature	4 200 K
type of anchoring	canopy anchored to the ceiling structure
certification	



MATERIAL LINES

After you've chosen the right soundproofing tech for your office, bring it to life in one of three distinctive material options. Take your first steps towards a more tranquil workspace with SOFT, focused on maximizing functionality and value. Next, there's AMBIENT, which features two fabric options for increased comfort and performance. Finally, the PULSE line offers high-end fabrics to achieve the utmost in quality and design.

SOFT

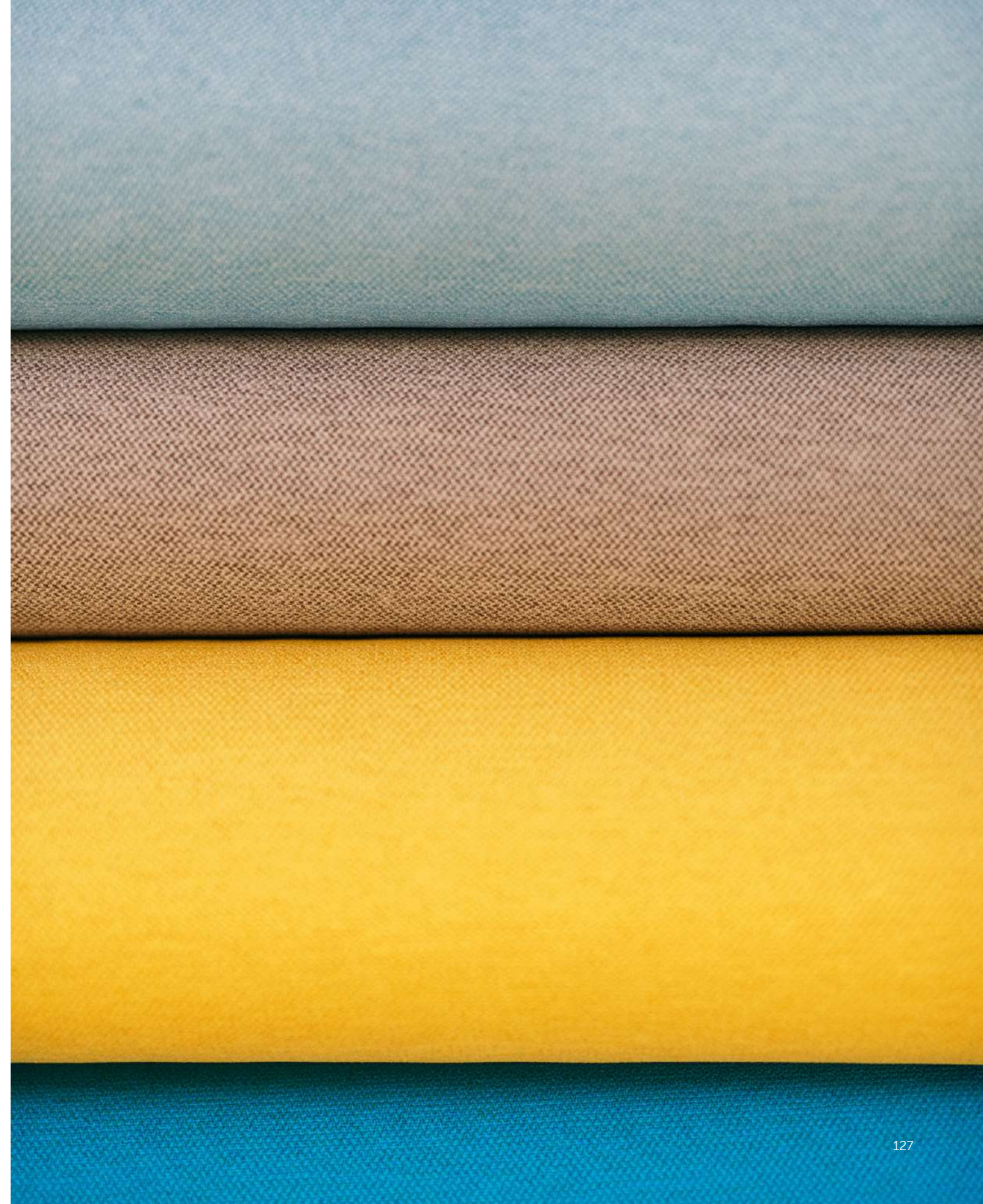
SOFT is our entry-level category, made from BOMBAY fabric for an emphasis on effortless functionality. The PVC exterior is water-repellent and sleek, sure to complement any professional workspace, while metal frames ensure long-lasting quality.

AMBIENT

Our AMBIENT line comprises two appealing fabric choices: the irresistibly soft ASPECT, made from 75% flame-retardant Trevira CS, or the durable WOOLLAND, with its natural wool fibers, water-repellent and flame-retardant finish. Either way, you'll enjoy superior comfort and functionality.

PULSE

PULSE blends high-end fabrics from natural materials. Our enticing BLAZER and SYNERGY fabrics are exclusively sourced from verified partners who place a high premium on quality. As stimulating to the eye as they are to the touch, PULSE designs feature vibrant quilted arrangements with warm colors that promote creativity and enthusiasm. WOOLLAND QUILT is the brand new addition to our PULSE fabric line, which brings a modern twist to this material due to the aesthetical quilting.

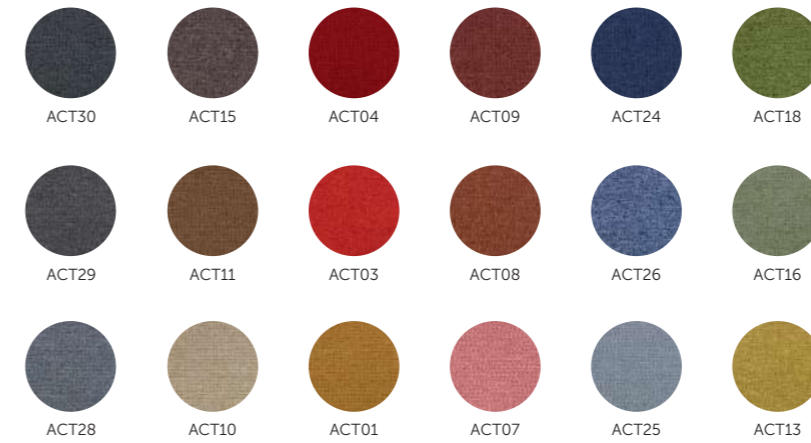


BOMBAY

SOFT

ASPECT

AMBIENT



TECHNICAL DETAILS

materials 100% polyester
weight 350 g/m²
width 140 cm
abrasion resistance > 100,000

TECHNICAL DETAILS

materials 75% Trevira CS, 25% polyester
weight 325 g/m²
width 140 cm
abrasion resistance > 50 000

WOOLLAND

AMBIENT

BLAZER

PULSE



TECHNICAL DETAILS

materials 70% wool, 30% polyamide
 weight 400 g/m²
 width 150 cm
 abrasion resistance > 100,000

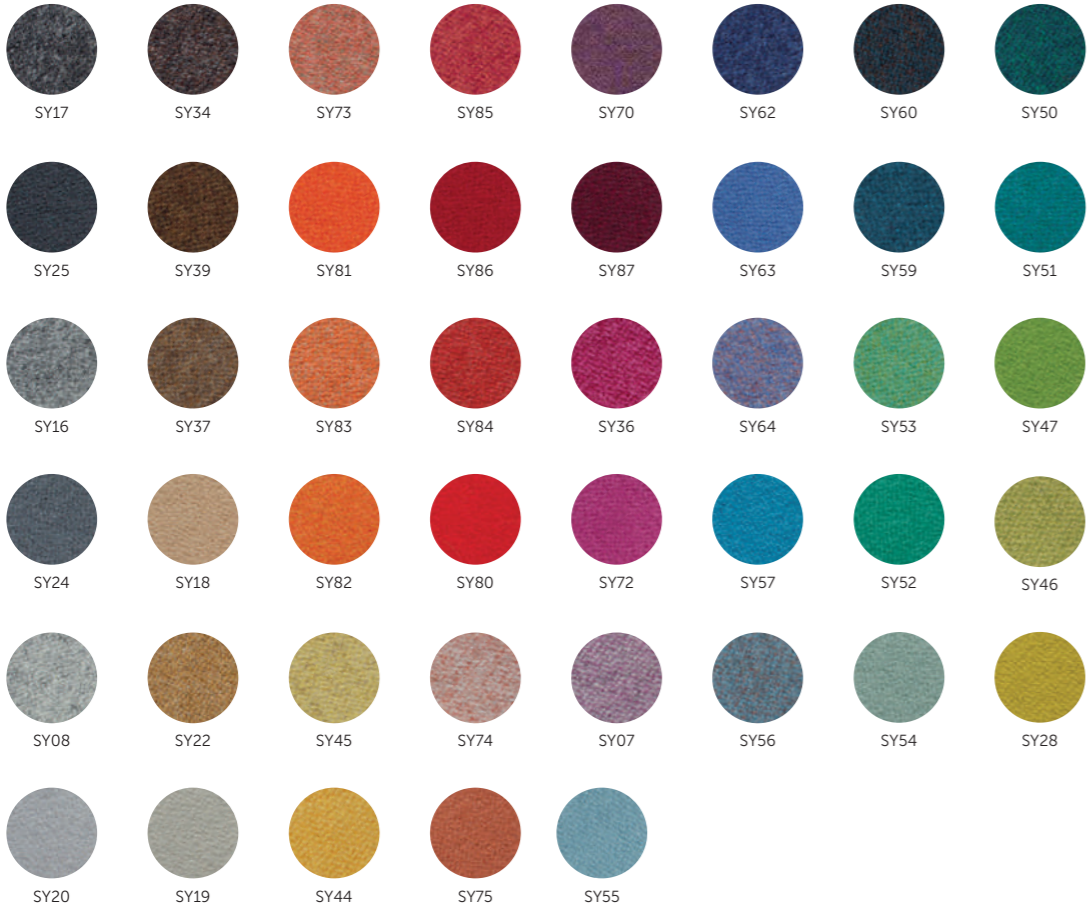
TECHNICAL DETAILS

materials 100% virgin wool
 weight 460 g/m²
 width 140 cm
 abrasion resistance > 50,000

SYNERGY

PULSE

At the customer's request, the product can also be upholstered with KVADRAT fabrics.

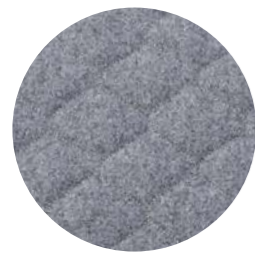


TECHNICAL DETAILS
 materials 95% virgin wool, 5% polyamide
 weight 400 g/m²
 width 140 cm
 abrasion resistance > 100,000

WOOLLAND QUILT

PULSE

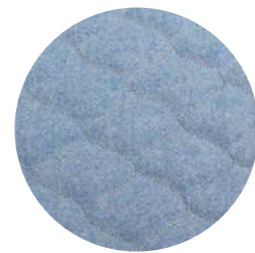
SURFACE FINISH



WQ36



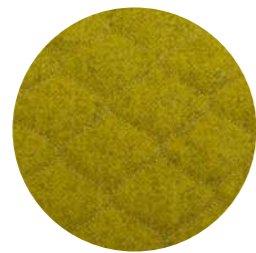
WQ06



WQ17



WQ25



WQ08

TECHNICAL DETAILS

materials	70% wool, 30% polyamide
lining	100% PES
weight	700 g/m ² (400 g/m ² woolland + 300 g/m ² polyester batting)
width	+ - 150 cm (fabric shrinks slightly after stitching)
abrasion resistance	> 100 000

* fabric application is only suitable for products MYSPLACE, MUTE, SHADE, PETAL and MOVE

SHADE / FEET



RAL 9003
(white)



RAL 9004
(black)



RAL 7004
(grey)



RAL 1018
(yellow)



RAL 1023
(dark yellow)



RAL 2012
(red)



RAL 6034
(blue)



RAL 6019
(green)



BIRCH
PLYWOOD

MYSPLACE / FEET



RAL 9003
(white)



RAL 9004
(black)



RAL 7004
(grey)

FLEXI / FEET



RAL 9004
(black)



BIRCH
PLYWOOD

MICROOFFICE / FRAME



OAK



BLACK

MOSS / FLOCK



8744
(dark grey)



8713
(grey)



8510
(yellow)



8100
(orange)



8120
(red)



8211
(blue)



706
(green)



1803
(pink)



119
(beige)



RAW NEW
(ivory)

CONTACT INFORMATION

+420 733 739 065
info@silent-lab.com
www.silent-lab.com
www.microoffice.eu

COMPANY ADDRESS

SilentLab s.r.o.
Za Zastavkou 373
111 01 Prague – Czech Republic

The final product configuration may differ
from the versions shown in the photographs.

All MICROOFFICE products are patent pending.
SilentLab® and MICROOFFICE® are registred trademark.

All intellectual property rights („Rights“), whether registered or not, relating to any content, texts, photographs, images, logos, instructions, designs, technical solutions, etc. (“Content“) are the property of SilentLab s.r.o. (“Owner“) and any interference with these Rights to any Content or part thereof without the prior express and written consent of the Owner is not permitted.

Any use of the Content not expressly authorized in writing in advance, with the exception of internal and non-commercial use of the unmodified Content for the purposes of the customer’s own order, is considered an infringement of the Owner’s Rights. In particular (not exclusively), any reproduction, change, addition, merger or other modification of the Content is prohibited without the prior express written consent of the Owner.

ACOUSTIC THAT WORKS